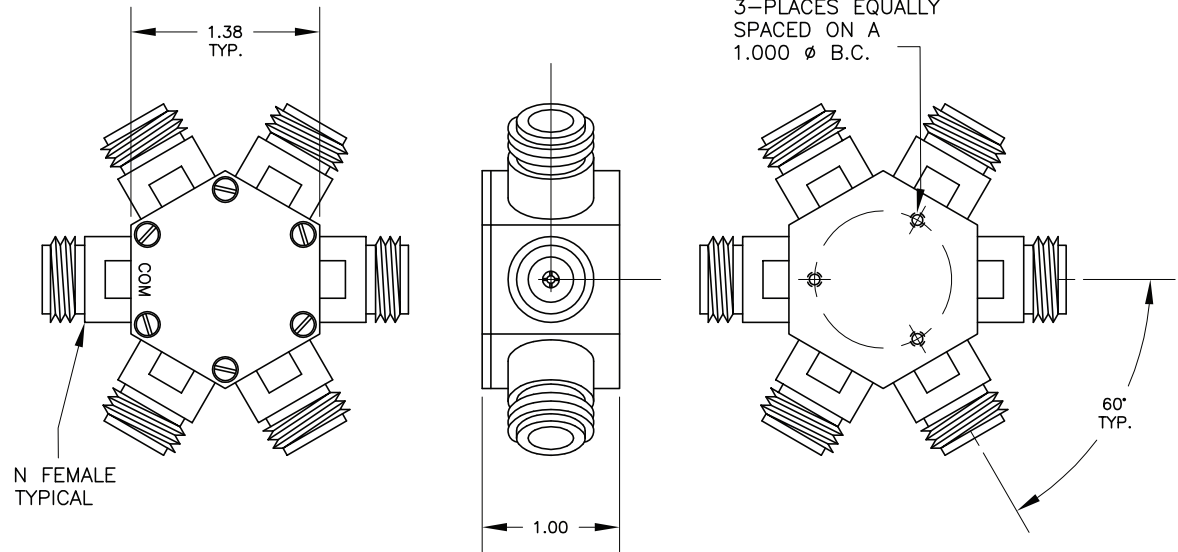


PART NUMBER

KPD177495

REV.

INITIAL

Electrical DataFrequency Range
PowerDC - 2 GHz
2 Watts**RoHS Compliant**

Drawing not to scale. Dimensions for reference only

Units: Inches

Konnect RFWWW.KONNECTRF.COM
1-800-790-5887

PART NUMBER

KPD177495

DESCRIPTION

Power Divider, Resistive, 5 Way, N Female Jack

CAGE CODE

664U0

SIGNATURE

X

THIS DRAWING INCLUDING THE
DESIGNS IS THE PROPERTY OF
KONNECT RF AND IS NOT TO
BE USED FOR ANY PURPOSE
WITHOUT OUR APPROVAL.**Component**
Body**Material**
Aluminum Alloy**Plating**
Chemfilm TCP