

PART NUMBER

KPD177491

REV.

DATE

COMMENTS

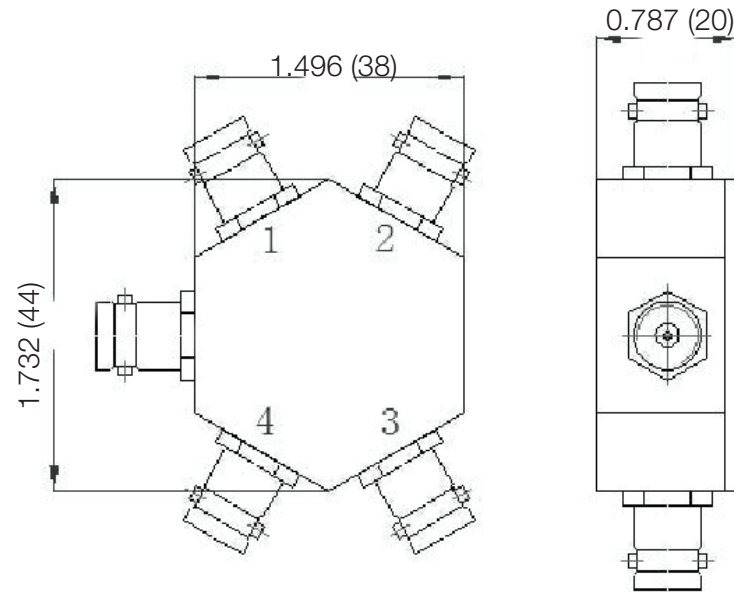
INITIAL

Electrical Data

Impedance	50 Ω
Frequency Range	DC - 2 GHz.
Insertion Loss	≤ 12 dB \pm 0.9 dB
Power Handling	1 W
VSWR	≤ 1.50

Mechanical Data

Temperature Range: -35 °C - 75 °C

RoHS Compliant

Drawing not to scale. Dimensions for reference only

Units: inches (mm)

Size Tolerance ± 0.020 (0.5)**Konnect RF**

WWW.KONNECTRF.COM
1-800-790-5887

PART NUMBER

KPD177491

DESCRIPTION

Power Divider, Resistive, 4 Way, BNC Female Jack

CAGE CODE

664U0

SIGNATURE

X

THIS DRAWING INCLUDING THE
DESIGNS IS THE PROPERTY OF
KONNECT RF AND IS NOT TO
BE USED FOR ANY PURPOSE
WITHOUT OUR APPROVAL.