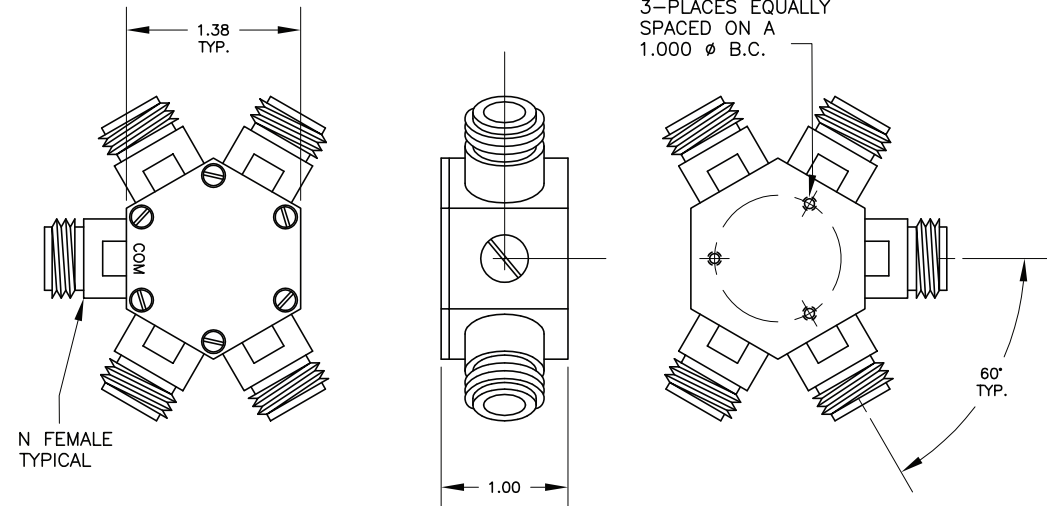


PART NUMBER

**KPD177490**

REV.

INITIAL

**Electrical Data**Frequency Range  
PowerDC - 2 GHz  
2 Watts**RoHS Compliant**

Drawing not to scale. Dimensions for reference only

Units: Inches

**Konnect RF**WWW.KONNECTRF.COM  
1-800-790-5887

PART NUMBER

**KPD177490**

DESCRIPTION

**Power Divider, Resistive, 4 Way, N Female Jack**

CAGE CODE

**664U0**

SIGNATURE

X

THIS DRAWING INCLUDING THE  
DESIGNS IS THE PROPERTY OF  
KONNECT RF AND IS NOT TO  
BE USED FOR ANY PURPOSE  
WITHOUT OUR APPROVAL.**Component**  
Body**Material**  
Aluminum Alloy**Plating**  
Chemfilm TCP