

PART NUMBER

KWG178208

REV.

DATE

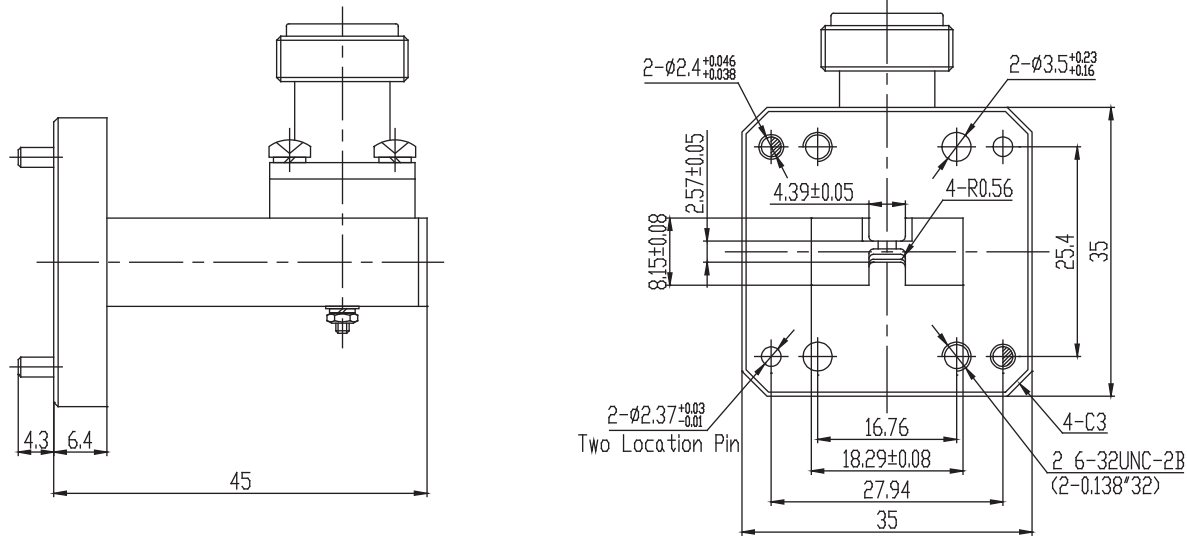
COMMENTS

INITIAL

Electrical Data

Impedance	50Ω
Frequency Range	6.5 - 18 GHz.
VSWR	1.50 Max
Insertion Loss	0.5 dB
Power Handling	180W (CW)
Peak Power Handling	3kW
Waveguide Type	WRD650
Flange Type	FPWRD650D28 (Cover)

RoHS Compliant



Drawing not to scale. Dimensions for reference only

Units: mm

Konnect RF

WWW.KONNECTRF.COM
1-800-790-5887

PART NUMBER

KWG178208

DESCRIPTION

**Double Ridge Waveguide to Coaxial Adapter,
N Female, WRD650**

CAGE CODE

664U0

SIGNATURE

X

Component

Body
Inside Finish
Outside Finish

Material

Brass

Plating

Copper
Silver
Anticorrosion Grey Paint

THIS DRAWING INCLUDING THE
DESIGNS IS THE PROPERTY OF
KONNECT RF AND IS NOT TO
BE USED FOR ANY PURPOSE
WITHOUT OUR APPROVAL.