

PART NUMBER

KWG178206

REV.

DATE

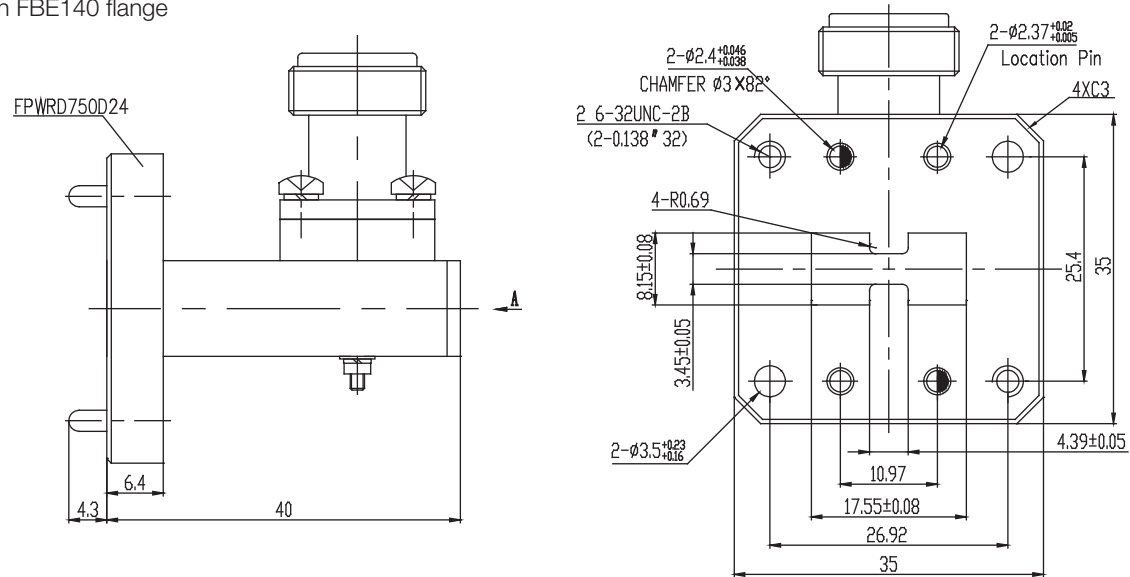
COMMENTS

INITIAL

Electrical Data

Impedance	50Ω
Frequency Range	7.5 - 18 GHz.
VSWR	1.50
Insertion Loss	0.5 dB Max
Power Handling	180W (CW)
Peak Power Handling	3kW
Waveguide Type	WRD750D24
Flange Type	FPWRD750D24
Accessory	1pc Gasket mated with FBE140 flange

RoHS Compliant



Drawing not to scale. Dimensions for reference only

Units: mm

Konnect RF

WWW.KONNECTRF.COM
1-800-790-5887

PART NUMBER

KWG178206

DESCRIPTION

**Double Ridge Waveguide to Coaxial Adapter,
N Female, WRD750D24**

CAGE CODE

664U0

SIGNATURE

X

Component
Body
Inside Finish
Outside Finish

Material
Brass

Plating
Copper
Silver
Anticorrosion Grey Paint

THIS DRAWING INCLUDING THE
DESIGNS IS THE PROPERTY OF
KONNECT RF AND IS NOT TO
BE USED FOR ANY PURPOSE
WITHOUT OUR APPROVAL.