

PART NUMBER

KWG178202

REV.

DATE

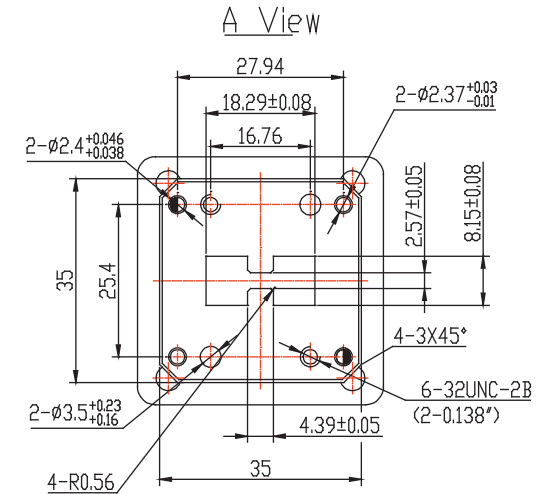
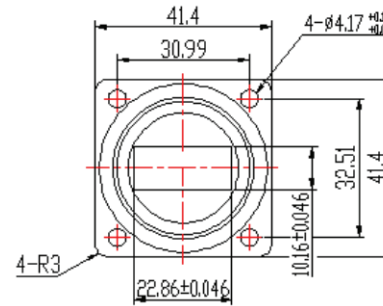
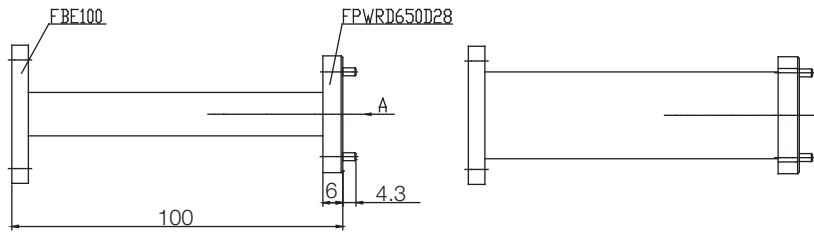
COMMENTS

INITIAL

Electrical Data

Impedance	50Ω
Frequency Range	8.2 - 12.5GHz.
VSWR	1.25
Waveguide Type	WRD650 to WR90
Flange Type	FPWRD650/ FBE100 (Cover)
Accessory	1pc Gasket mated with FBE100 flange

RoHS Compliant



Drawing not to scale. Dimensions for reference only

Units: mm

Konnnect RF

WWW.KONNECTRF.COM
1-800-790-5887

PART NUMBER

KWG178202

DESCRIPTION

**Double Ridge Waveguide Transition,
WRD650 to WR90**

CAGE CODE

664U0

SIGNATURE

X

Component
Body
Inside Finish
Outside Finish

Material
Brass

Plating
Copper
Silver
Anticorrosion Grey Paint

THIS DRAWING INCLUDING THE
DESIGNS IS THE PROPERTY OF
KONNECT RF AND IS NOT TO
BE USED FOR ANY PURPOSE
WITHOUT OUR APPROVAL.