

PART NUMBER

KWG178108

REV.

DATE

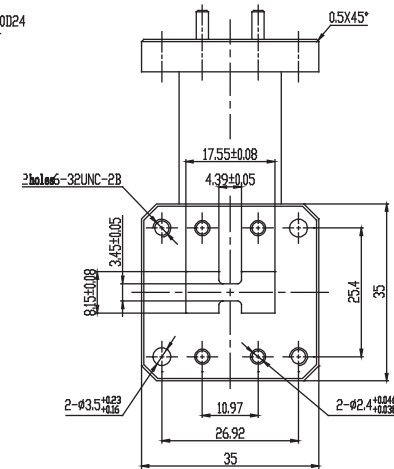
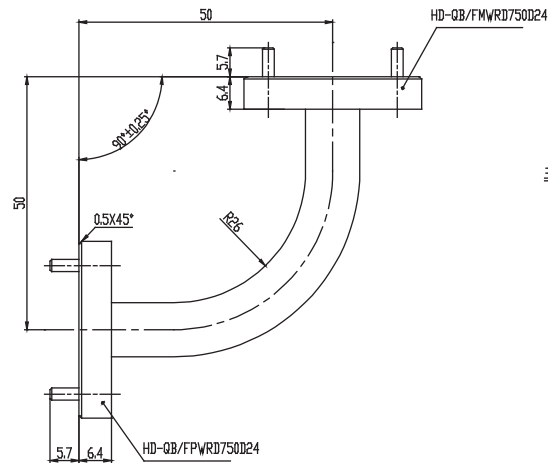
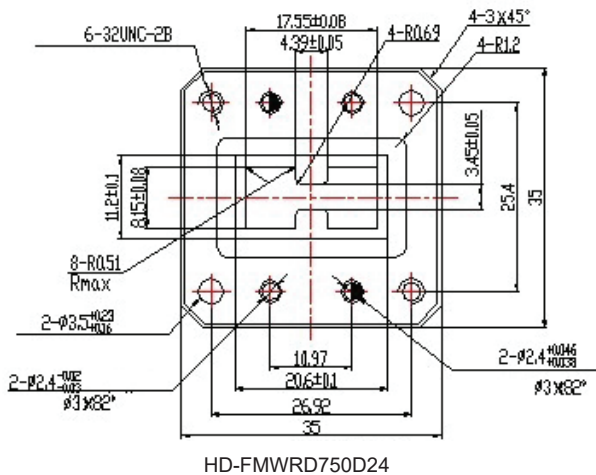
COMMENTS

INITIAL

RoHS Compliant

Electrical Data

Impedance	50Ω
Frequency Range	7.5 - 18 GHz.
VSWR	1.25 Max
Waveguide Type	WRD750
Flange Type	FPWRD750D24/ FMWRD750D24
Accessory	1pc Gasket mated with FMWRD750D24 flange



Drawing not to scale. Dimensions for reference only

Units: mm

Konnect RF

WWW.KONNECTRF.COM
1-800-790-5887

PART NUMBER

KWG178108

DESCRIPTION

Double Ridge Waveguide E-Bend, WRD750

CAGE CODE

664U0

SIGNATURE

X

Component
Body
Inside Finish
Outside Finish

Material
Brass

Plating
Copper
Silver
Anticorrosion Grey Paint

THIS DRAWING INCLUDING THE
DESIGNS IS THE PROPERTY OF
KONNECT RF AND IS NOT TO
BE USED FOR ANY PURPOSE
WITHOUT OUR APPROVAL.