

PART NUMBER

**KWG178103**

REV.

DATE

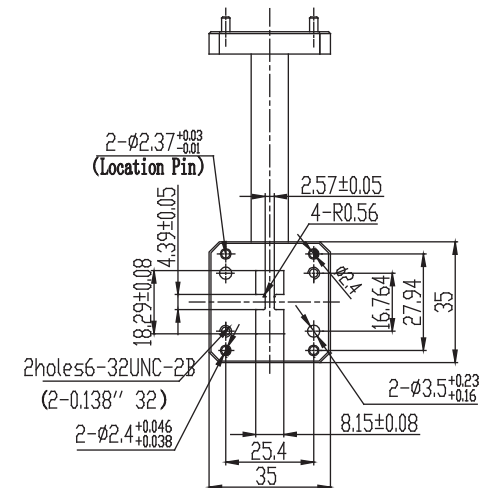
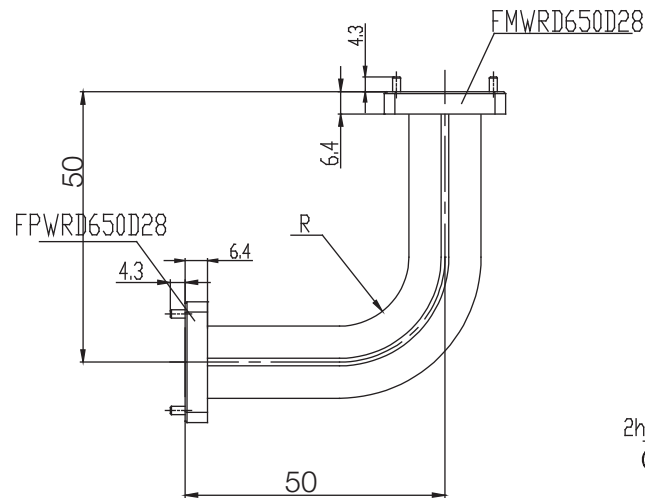
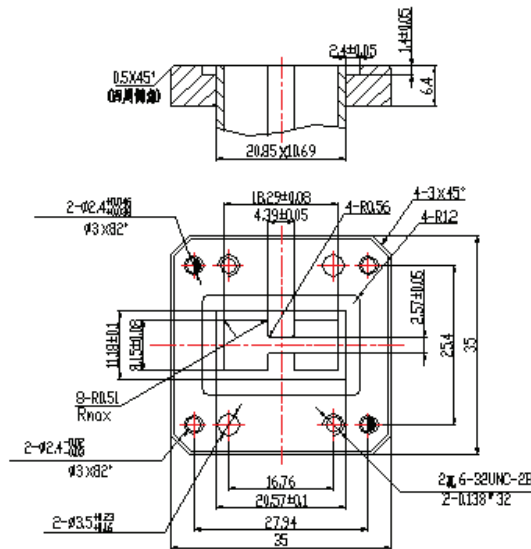
COMMENTS

INITIAL

**Electrical Data**

Impedance 50Ω  
 Frequency Range 6.5 - 18 GHz.  
 VSWR 1.50 Max  
 Waveguide Type WRD650D28  
 Flange Type FPWRD650D28/ FMWRD650D28

RoHS Compliant



Drawing not to scale. Dimensions for reference only

Units: mm

**Konnect RF**

WWW.KONNECTRF.COM  
 1-800-790-5887

PART NUMBER

**KWG178103**

DESCRIPTION

**Double Ridge Waveguide H-Bend, WRD650D28**

CAGE CODE

**664U0**

SIGNATURE

X

**Component**  
 Body  
 Inside Finish  
 Outside Finish

**Material**  
 Brass

**Plating**  
 Copper  
 Silver  
 Anticorrosion Grey Paint

THIS DRAWING INCLUDING THE  
 DESIGNS IS THE PROPERTY OF  
 KONNECT RF AND IS NOT TO  
 BE USED FOR ANY PURPOSE  
 WITHOUT OUR APPROVAL.