

PART NUMBER

**KWG177892**

REV.

DATE

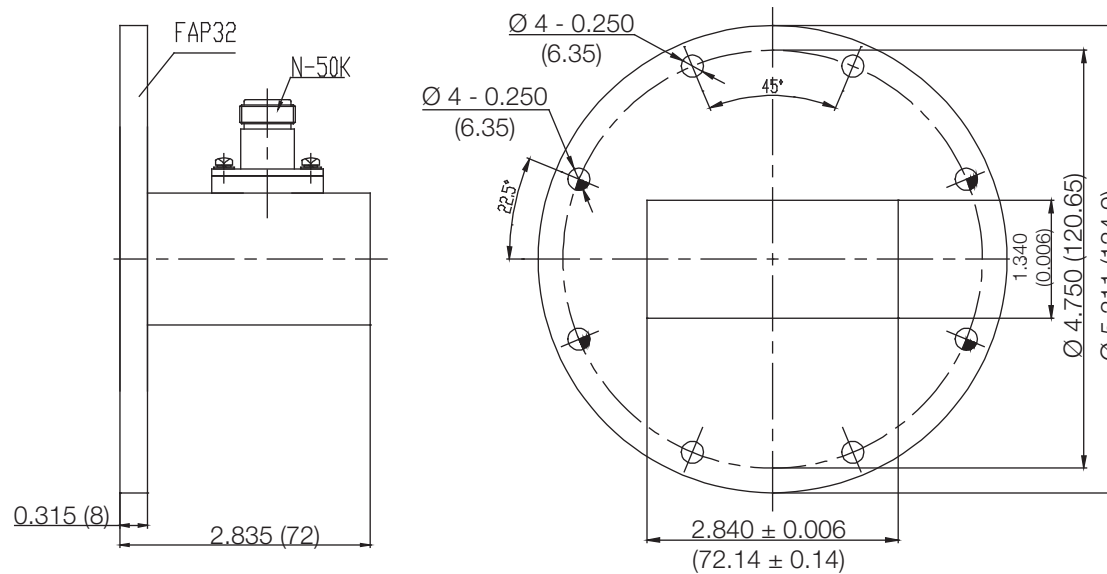
COMMENTS

INITIAL

**Electrical Data**

Impedance	50 $\Omega$
Frequency Range	2.60 - 3.95 GHz.
Insertion Loss	0.2 dB Max
VSWR	1.25
WaveGuide Type	WR284
Flange Type	FAP32

RoHS Compliant



Drawing not to scale. Dimensions for reference only

Units: inches (mm)

**Konnect RF**

**WWW.KONNECTRF.COM**  
**1-800-790-5887**

PART NUMBER

**KWG177892**

DESCRIPTION

**Waveguide Adapter, WR284, FAP32 (Flange Type)**

CAGE CODE

**664U0**

SIGNATURE

X

**Component**  
Body

**Material**  
Aluminium

**Plating**  
Anticorrosion Grey Paint

THIS DRAWING INCLUDING THE  
 DESIGNS IS THE PROPERTY OF  
 KONNECT RF AND IS NOT TO  
 BE USED FOR ANY PURPOSE  
 WITHOUT OUR APPROVAL.