

PART NUMBER

KWG177544

REV.

DATE

COMMENTS

INITIAL

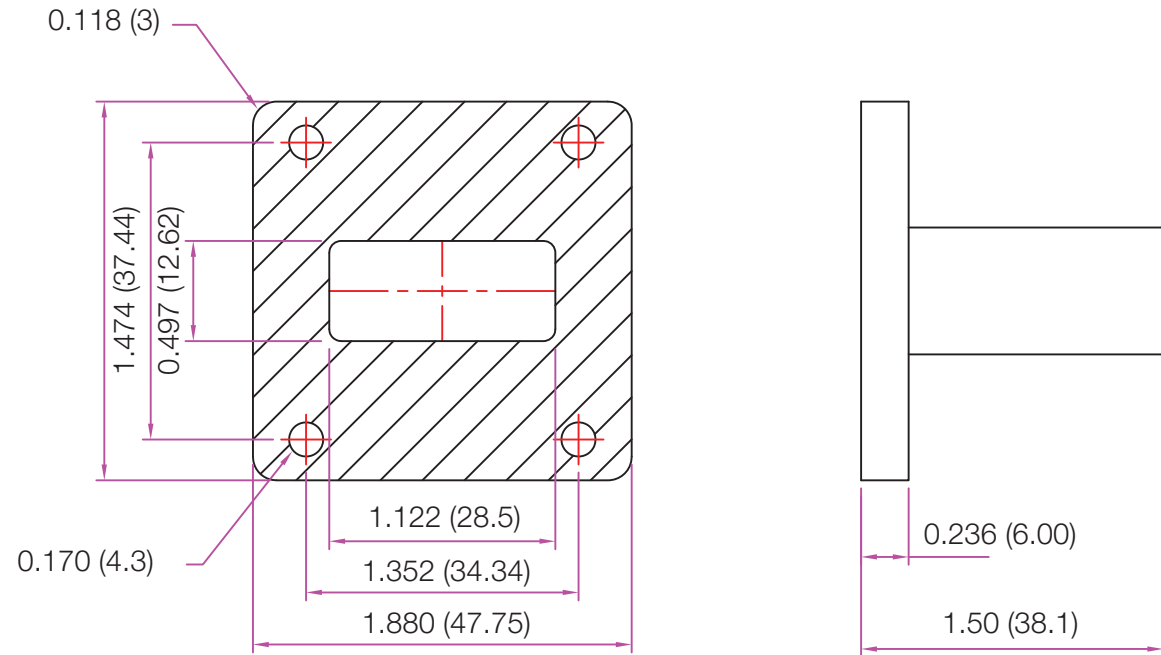
Electrical Data

Frequency Range 7.05-10 GHz.
 Average Power 15 W
 VSWR ≤ 1.20

Mechanical Data

Storage Temperature -50 °C - 100 °C
 Temperature Range: -40 °C - 85 °C
 Power Handling 15 W CW

RoHS Compliant



Drawing not to scale. Dimensions for reference only

Units: inches (mm)

Konnect RF

WWW.KONNECTRF.COM
 1-800-790-5887

PART NUMBER

KWG177544

DESCRIPTION

Waveguide Termination, WR112

CAGE CODE

664U0

SIGNATURE

X

Component
 Body

Material
 Aluminum

Plating
 Black Epoxy Painted

THIS DRAWING INCLUDING THE
 DESIGNS IS THE PROPERTY OF
 KONNECT RF AND IS NOT TO
 BE USED FOR ANY PURPOSE
 WITHOUT OUR APPROVAL.