

PART NUMBER

**KWG177543**

REV.

DATE

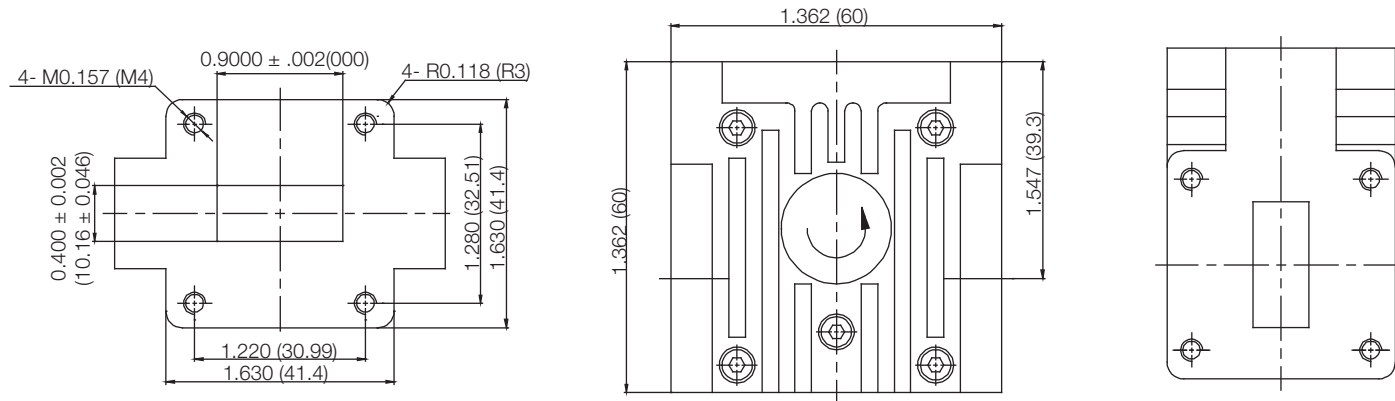
COMMENTS

INITIAL

**Electrical Data**

RoHS Compliant

Impedance	50 $\Omega$
Frequency Range	9.2 - 9.7 GHz.
Insertion Loss	0.3 dB Max
Isolation	23 dB Min
Power Handling	100 W (CW), 100kW (Peak)
VSWR	1.20
WaveGuide Type	WR90
Flange Type	FBP100 (Cover)



Drawing not to scale. Dimensions for reference only

Units: inches (mm)

**Konnect RF**

WWW.KONNECTRF.COM  
1-800-790-5887

PART NUMBER

**KWG177543**

DESCRIPTION

**Waveguide, High Power Circulator , WR90**

CAGE CODE

**664U0**

SIGNATURE

X

**Component**  
Body  
Center Contact

**Material**  
Alumium  
Anticorrosion Grey Paint

**Plating**

THIS DRAWING INCLUDING THE  
DESIGNS IS THE PROPERTY OF  
KONNECT RF AND IS NOT TO  
BE USED FOR ANY PURPOSE  
WITHOUT OUR APPROVAL.