

PART NUMBER

**KWG177024**

REV.

DATE

COMMENTS

INITIAL

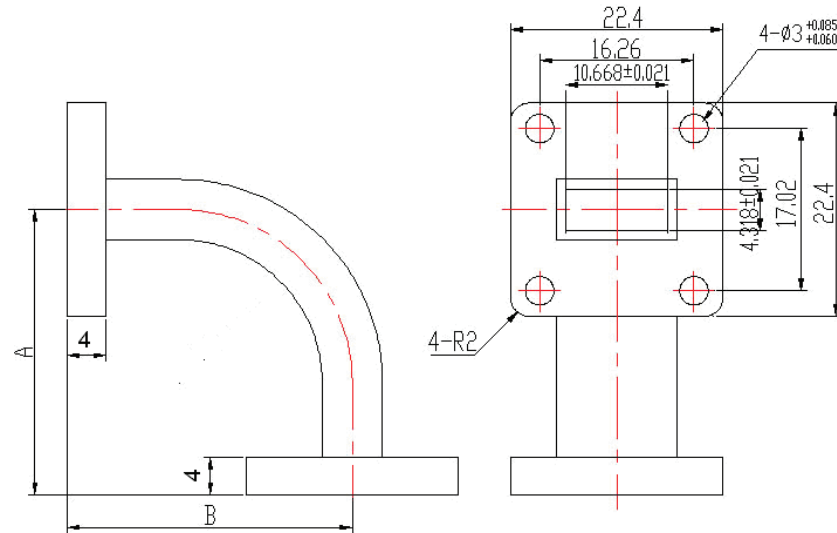
**Electrical Data**

Frequency Range 17.6 ~ 26.7 GHz.  
VSWR Max 1.10

**Mechanical Data**

Waveguide Typer WR42  
Flange FBP220 (Cover)

RoHS Compliant



Drawing not to scale. Dimensions for reference only

Units: mm

**Konnnect RF**

WWW.KONNECTRF.COM  
1-800-790-5887

PART NUMBER

**KWG177024**

DESCRIPTION

**Waveguide, E-Bend**

CAGE CODE

**664U0**

SIGNATURE

X

**Component**

Body  
Inside Finish  
Outside Finish

**Material**

Copper

**Plating**

Silver  
Anticorrosion Grey Paint

THIS DRAWING INCLUDING THE  
DESIGNS IS THE PROPERTY OF  
KONNECT RF AND IS NOT TO  
BE USED FOR ANY PURPOSE  
WITHOUT OUR APPROVAL.