

PART NUMBER

KSW177408

REV.

DATE

COMMENTS

INITIAL

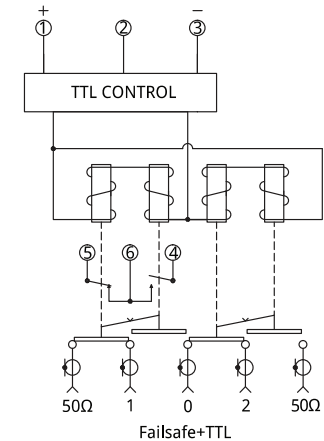
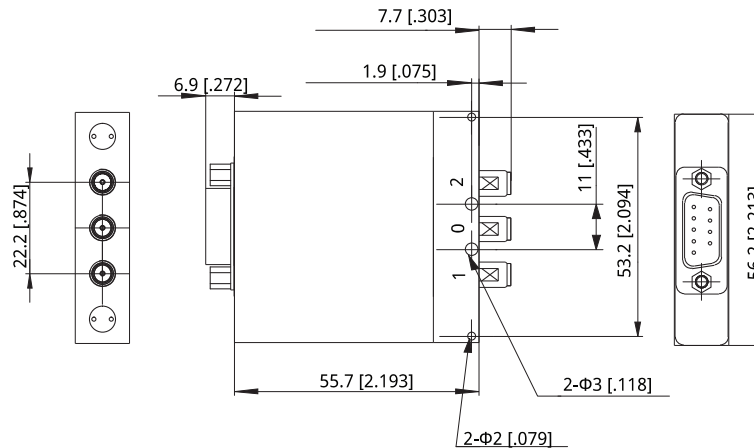
Electrical Data

Impedance	50 Ω
Frequency Range	DC - 18 GHz.
Insertion Loss	0.5 dB
Voltage Rating (FailSafe)	350 Current (Am)
VSWR	≤ 1.5
Isolation	55 dB
Switching Sequence:	Break before Make
Switching Time:	15mS max.
Operation Life:	2M Cycles
Vibration (operating):	20-2000Hz, 10G RMS
Mechanical Shock (non-operating):	30G, 1/2sine, 11mS
Power Supply & Control	Feed Through/Terminal Post
Amplitude Unbalance	+/-0.1 dB
Phase Unbalance	+/-3 degree

Mechanical Data

Extended Temperature Range:	-45 $^{\circ}$ C - 85 $^{\circ}$ C
Temperature Range:	-25 $^{\circ}$ C - 65 $^{\circ}$ C

RoHS Compliant

**Failsafe&TTL**

Pin	Function	Pin	Function
1	VDC(RF: 0 to 2)	4~5	Indicator (1~2)
2	A1(RF: 0 to 2)	6	Indicator (COM)
3	COM(RF: 0 to 2)	7~9	NC

Drawing not to scale. Dimensions for reference only**Units: inches (mm)**Tolerance: $\pm 0.5\text{mm}$ [$\pm 0.02\text{in}$]**Konnect RF**

WWW.KONNECTRF.COM
1-800-790-5887

PART NUMBER

KSW177408

DESCRIPTION

**SPDT Switch, Terminated, DC-18 GHz,
 Failsafe, +12V, D-Sub W/TTL, SMA Female**

CAGE CODE

664U0

SIGNATURE

X

THIS DRAWING INCLUDING THE
 DESIGNS IS THE PROPERTY OF
 KONNECT RF AND IS NOT TO
 BE USED FOR ANY PURPOSE
 WITHOUT OUR APPROVAL.