

PART NUMBER

KSW177314

REV.

DATE

COMMENTS

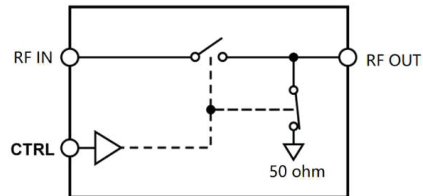
INITIAL

Electrical Data

Impedance	50 Ω
Frequency Range	DC - 7.5-8.0 GHz.
Insertion Loss	≤ 1.20 dB(typ) - 1.50(max)
Isolation	>80 dB
RF Input Power	20dBm (max)
Switching Time	100ns
Power Supply	+/- 5V (30mA)
VSWR	≤ 1.5 (typ) < 2.0 (max)

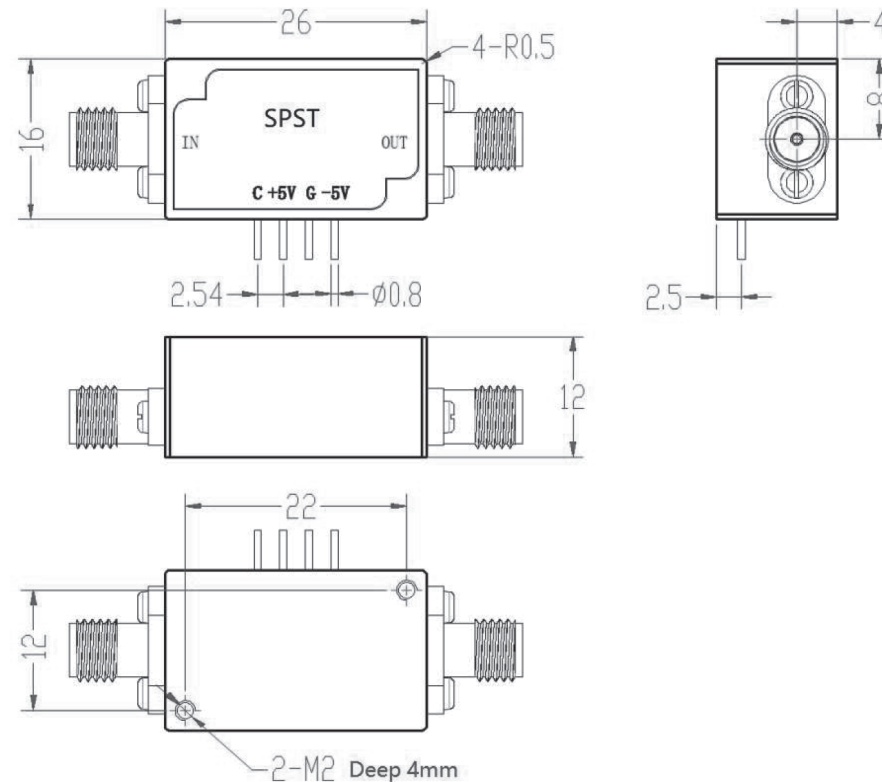
Mechanical Data

Temperature Range: -40 °C - 85 °C



CTRL Input	RF Patch	
"0"(TTL Low Level)	RF IN - RF OUT ON	RF OUT 50ohm OFF
"1"(TTL High Level)	RF IN - RF OUT OFF	RF OUT 50ohm ON

RoHS Compliant

**Drawing not to scale. Dimensions for reference only****Units: mm****Konnect RF**

WWW.KONNECTRF.COM
1-800-790-5887

PART NUMBER

KSW177314

DESCRIPTION

**Switch, Absorptive Type, SMA Female Jack,
Switching Time 100ns**

CAGE CODE

664U0

SIGNATURE

X

THIS DRAWING INCLUDING THE
DESIGNS IS THE PROPERTY OF
KONNECT RF AND IS NOT TO
BE USED FOR ANY PURPOSE
WITHOUT OUR APPROVAL.