

PART NUMBER

**KSW177139**

REV.

DATE

COMMENTS

INITIAL

**Electrical Data**

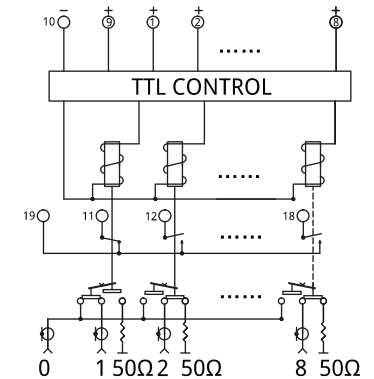
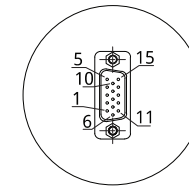
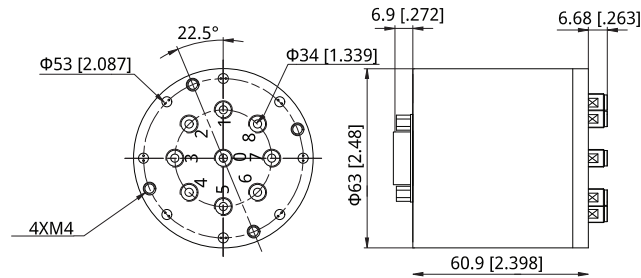
Impedance	50 $\Omega$
Frequency Range	DC - 18 GHz.
Insertion Loss	0.5 dB
Voltage Rating	300 VRMS
VSWR	$\leq 1.6$
Isolation	50 dB
Switching Sequence:	Break before Make
Switching Time:	15mS max.
Operation Life:	2M Cycles
Vibration (operating):	20-2000Hz, 10G RMS
Mechanical Shock (non-operating):	30G, 1/2sine, 11mS
Power Supply & Control	D-Sub 15/26 male
Amplitude Unbalance	+/-0.1 dB
Phase Unbalance	+/-3 degree

**Mechanical Data**

Extended Temperature Range:	-45 °C - 85 °C
Temperature Range:	-25 °C - 65 °C

**Pin Numbering****Normally Open**

Pin	Function	Pin	Function
1~8	V1~V8	18	Indicator (Com)
9	COM	19	VDC
10~17	Indicator (1~8)	20~26	NC



Normally Open &amp; TTL

**Drawing not to scale. Dimensions for reference only****Units: mm (inches)**Tolerance:  $\pm 0.5\text{mm}$  [ $\pm 0.02\text{in}$ ]**Konnnect RF**

**WWW.KONNECTRF.COM**  
**1-800-790-5887**

PART NUMBER

**KSW177139**

DESCRIPTION

**SP8T Switch, Terminated, Normally Open, +12V, D-Sub W/TTL, SMA Female**

CAGE CODE

**664U0**

SIGNATURE

**X**

THIS DRAWING INCLUDING THE  
 DESIGNS IS THE PROPERTY OF  
 KONNECT RF AND IS NOT TO  
 BE USED FOR ANY PURPOSE  
 WITHOUT OUR APPROVAL.