

PART NUMBER

KPD178143

REV.

DATE

COMMENTS

INITIAL

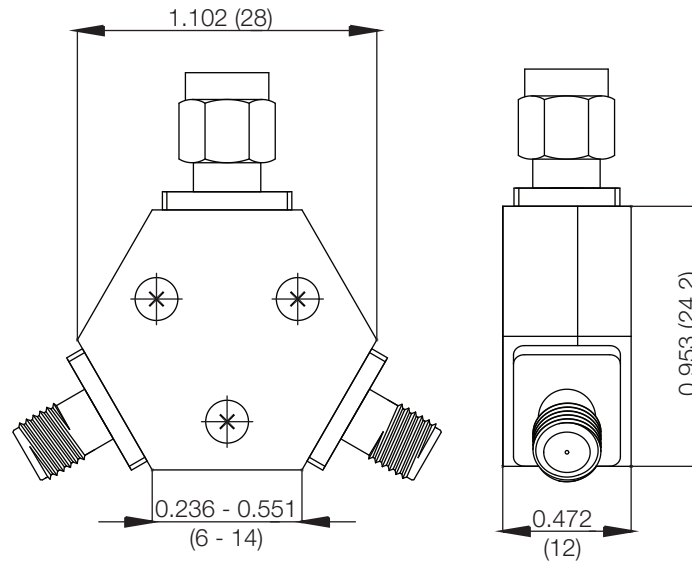
Electrical Data

| | |
|-------------------|----------------------|
| Impedance | 50 Ω |
| Frequency Range | DC - 18 GHz. |
| Insertion Loss | $\leq 6 \pm 1.5$ dB |
| Amplitude Balance | $\leq \pm 0.8$ dB |
| Phase Balance | $\leq \pm 8$ degrees |
| Average Power | 0.5W |
| VSWR | ≤ 1.60 |

Mechanical Data

| | |
|--------------------------------|----------------|
| Operational Temperature Range: | -40 °C - 80 °C |
| Storage Temperature Range: | -85 °C - 85 °C |

RoHS Compliant



Drawing not to scale. Dimensions for reference only

Units: inches (mm)

Konnect RF

WWW.KONNECTRF.COM
1-800-790-5887

PART NUMBER

KPD178143

DESCRIPTION

Power Divider, 2 Way, SMA Male Input/SMA Female Output

CAGE CODE

664U0

SIGNATURE

X

Component
Surface

Finish
Conductive Oxide

THIS DRAWING INCLUDING THE DESIGNS IS THE PROPERTY OF KONNECT RF AND IS NOT TO BE USED FOR ANY PURPOSE WITHOUT OUR APPROVAL.