

PART NUMBER

**KPD177433**

REV.

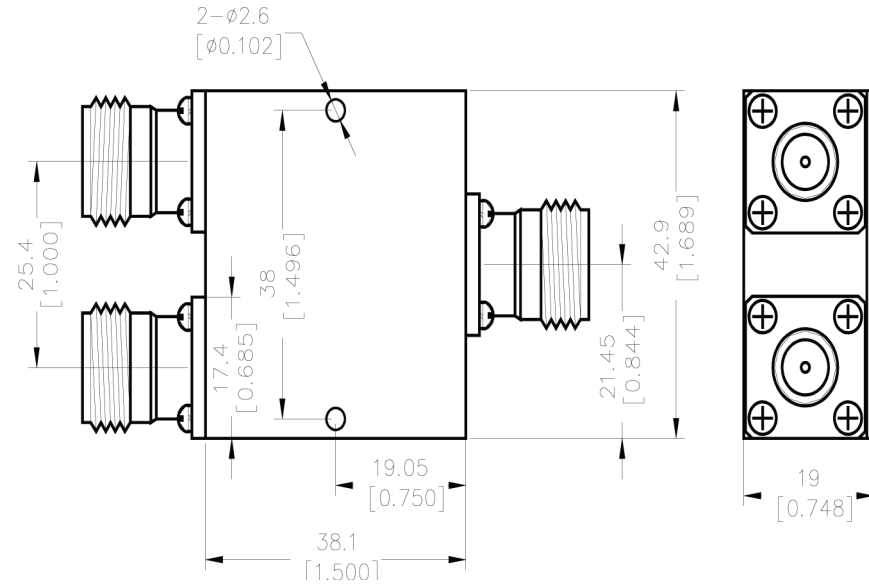
DATE

DESC.

INITIAL

**Electrical Data****Electrical Specifications (Ta = +25 Deg. Celcius)**

Frequency Range	3000 - 5000 MHz
Insertion Loss	0.4 dB Max.
Amplitude Balance	+ - 0.2 dB
Phase Balance	+ - 4 Deg.
Isolation	20 dB Min.
V.S.W.R	1.3 Max.
Average Power	30 Watt
Connector	3 X N-F



540 NW University Blvd. Ste. 109  
Port Saint Lucie, Florida, 34986  
1-800-790-5887

PART NUMBER

**KPD177433**

DESCRIPTION

**2 WAY MICROSTRIP POWER DIVIDER  
3000 - 5000 MHz, 30 WATT AVERAGE  
Type N FEMALE CONNECTOR**

CAGE CODE

**664U0**

SIGNATURE

X

NOTES

THIS DRAWING INCLUDING THE  
DESIGNS IS THE PROPERTY OF  
KONNECT RF AND IS NOT TO  
BE USED FOR ANY PURPOSE  
WITHOUT OUR APPROVAL.