

PART NUMBER

KDT177461

REV.

DATE

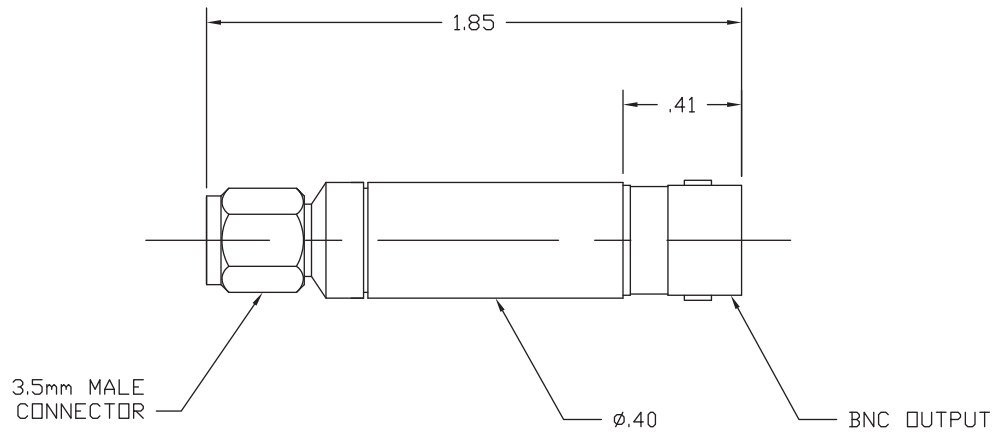
COMMENTS

INITIAL

Electrical Data

RoHS Compliant

Frequency Range 0.001 - 26.5 GHz.



Drawing not to scale. Dimensions for reference only Units: inches



WWW.KONNECTRF.COM
1-800-790-5887

PART NUMBER

KDT177461

DESCRIPTION

Detector, Planar Doped Barrier, 3.5mm Male Plug Input/BNC Female Jack Output

CAGE CODE

664U0

SIGNATURE

X 

THIS DRAWING INCLUDING THE DESIGNS IS THE PROPERTY OF KONNECT RF AND IS NOT TO BE USED FOR ANY PURPOSE WITHOUT OUR APPROVAL.