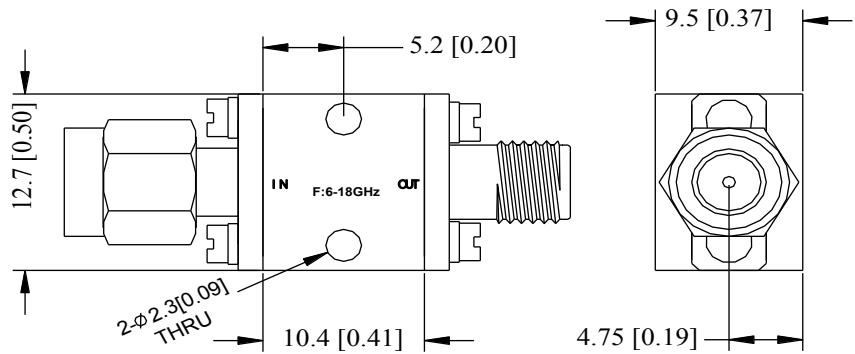


# KDT177300

## Feature

- Ultra Wide Band
- High Sensitivity
- Low VSWR
- No Bias
- Customization Available upon Request

## Power Detector 6GHz- 18GHz



units: mm (Inches) Tolerance: +/- 0.15 (0.006)

Parameters	Min.	Typ.	Max.	Units
Frequency Range	6		18	GHz
VSWR			1.5	
Tss	-45			dB m
Sensitivity	0.5			mv/uw
Input Power			20	dB m
Output Polarity	Positive(+)			
Weight	0.65			ounces
Operating Temperature	-45 to +85			
Input /Output Connector	SMA -Male/SMA -Female			
Material	Aluminum			
Finishing	Gold Plating			

### Environment specifications

Operational Temperature (°C)	-45 to +85
Storage Temperature (°C)	-55 to +125
Altitude	30,000 ft. (Epoxy Seal Controlled environment)
	60,000 ft 1.0psi min (Hermetically Seal Un -controlled environment) (Optional)
Vibration	25g rms (15 degree 2KHz) endurance, 1 hour per axis
Humidity	100% RH at 35c, 95%RH at 40 deg c
Shock	20G for 11msc half sin wave,3 axis both directions