

PART NUMBER

KDC177888

REV.

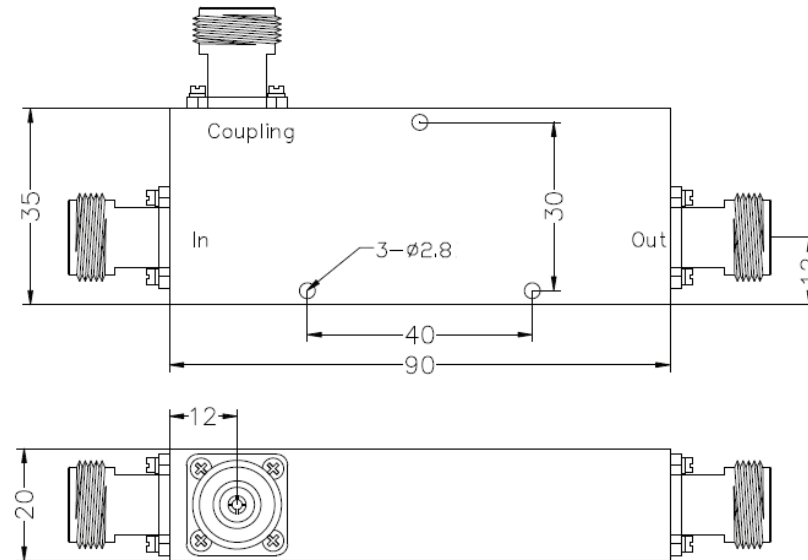
DATE

COMMENTS

INITIAL

Electrical Data

Impedance	50 Ω
Frequency Range	900~1500MHz
Coupling	20 \pm 1dBv
Insertion Loss	0.3dB max.
Directivity	20dB min.
VSWR	1.2 max.
Power Handling	50W CW

RoHS Compliant

Drawing not to scale. Dimensions for reference only

Units: mm

Konnect RF

WWW.KONNECTRF.COM
1-800-790-5887

PART NUMBER

KDC177888

DESCRIPTION

Directional Coupler, N Female

CAGE CODE

664U0

SIGNATURE

X

THIS DRAWING INCLUDING THE
DESIGNS IS THE PROPERTY OF
KONNECT RF AND IS NOT TO
BE USED FOR ANY PURPOSE
WITHOUT OUR APPROVAL.