

PART NUMBER

KDC177016

REV.

DATE

COMMENTS

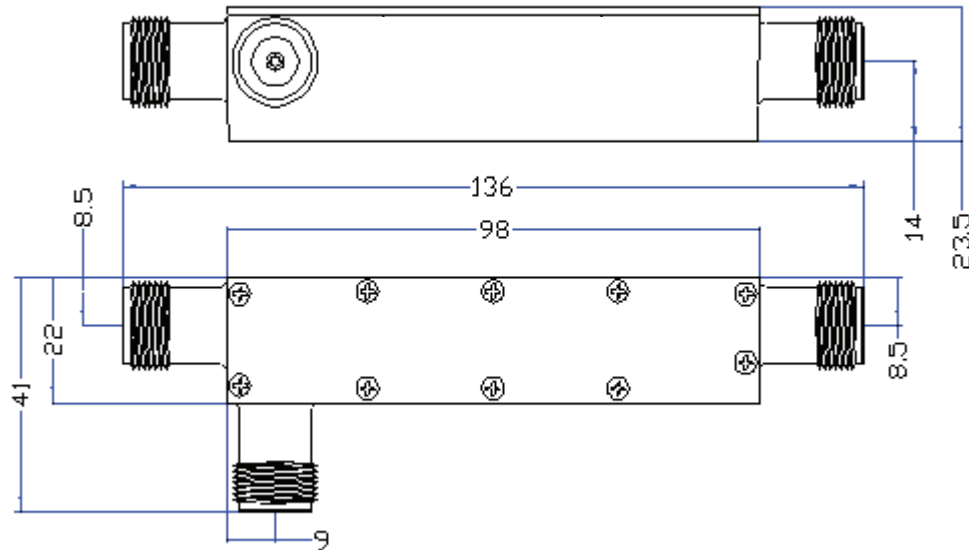
INITIAL

Electrical Data

Impedance	50 Ω
Frequency Range	.70 GHz- 2.7 GHz.
Insertion Loss	≤ 1.1 dB
Coupling	8 ± 1 dB
Power Handling	50 Watts CW
Port Connectors	N-Female
VSWR	≤ 1.30
Size Tolerance	± 0.5 mm

RoHS Compliant**Mechanical Data**

Operational Temperature : -40 °C - 70 °C



Drawing not to scale. Dimensions for reference only

Units: mm

Konnect RF

WWW.KONNECTRF.COM
1-800-790-5887

PART NUMBER

KDC177016

DESCRIPTION

Directional Coupler, N Female Jack

CAGE CODE

664U0

SIGNATURE

X

THIS DRAWING INCLUDING THE
DESIGNS IS THE PROPERTY OF
KONNECT RF AND IS NOT TO
BE USED FOR ANY PURPOSE
WITHOUT OUR APPROVAL.