

PART NUMBER

KCC198421**Electrical Data**

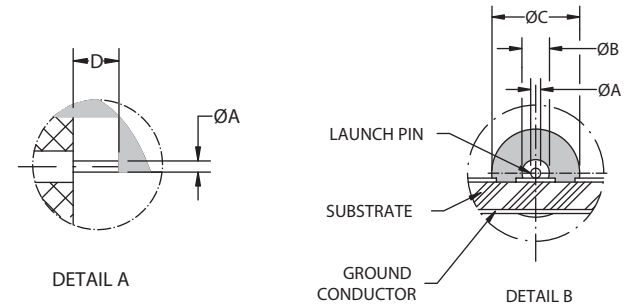
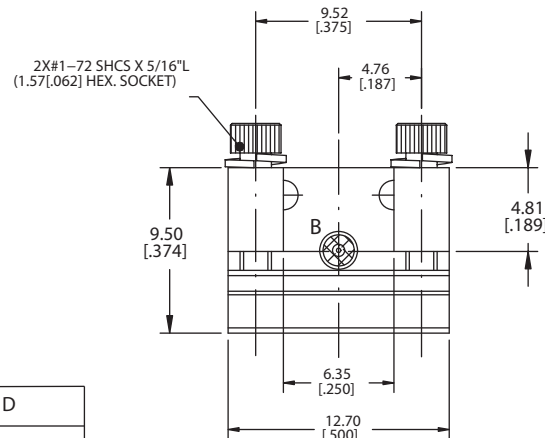
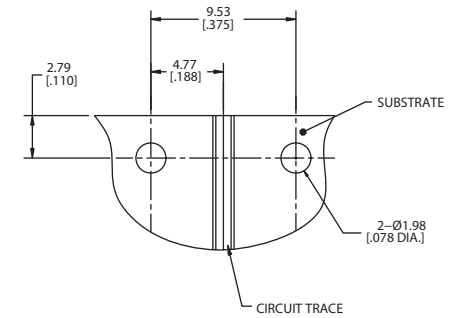
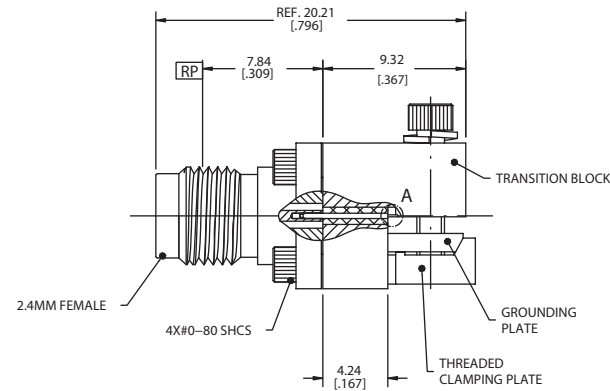
Impedance 50 Ω
 Frequency Range DC - 50 GHz.

Mechanical Data

Temperature Range: -55 °C - 125 °C

REV.	DATE	COMMENTS	INITIAL

RoHS Compliant



PART NO.	Ø A	Ø B	Ø C	D
KCC198421	0.13 [.005]	0.23 [.009]	0.74 [.0290]	0.76 [.030]

Drawing not to scale. Dimensions for reference only

Units: mm (inches)

Konnect RF

WWW.KONNECTRF.COM
 1-800-790-5887

PART NUMBER

KCC198421

DESCRIPTION

2.4mm Female Jack, End Launch, PC Board Receptacle, Standard Profile

CAGE CODE

664U0

SIGNATURE

X

THIS DRAWING INCLUDING THE DESIGNS IS THE PROPERTY OF KONNECT RF AND IS NOT TO BE USED FOR ANY PURPOSE WITHOUT OUR APPROVAL.

Component

Body
 Center Contact
 Insulator
 Transition Block
 Grounding Plate
 Threaded Clamping Plate
 Launch Pin
 Dielectric

Material

Stainless Steel
 BeCu
 PEI
 Brass
 Brass
 Brass
 BeCu
 PTFE

Plating

Passivated
 Gold
 Gold
 Nickel
 Nickel
 Nickel
 Gold
 Gold