

PART NUMBER

**KCC198414**

REV.

DATE

COMMENTS

INITIAL

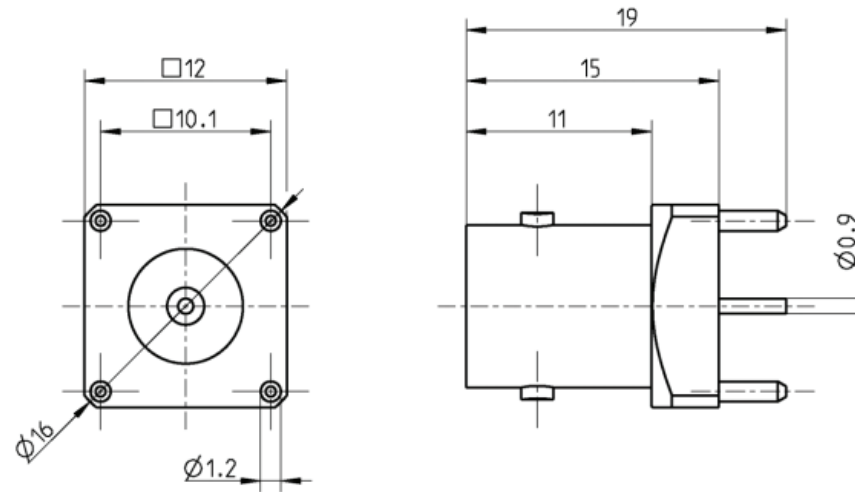
**Electrical Data**

Impedance	50 $\Omega$
Frequency Range	DC - 4 GHz.
Insulation Resistance	$\geq 5,000 M\Omega$
Dielectric Withstanding Voltage	1,000 VRMS
VSWR	$\leq 1.20$

**Mechanical Data**

Durability	500 Cycles Min.
Temperature Range:	-55 °C - 155 °C

RoHS Compliant



Drawing not to scale. Dimensions for reference only

Units: inches (mm)

**Konnect RF**

**WWW.KONNECTRF.COM**  
**1-800-790-5887**

PART NUMBER

**KCC198414**

DESCRIPTION

**BNC Straight Female Jack, 4 Leg PC Board Receptacle**

CAGE CODE

**664U0**

SIGNATURE

X

**Component**  
 Body  
 Center Contact  
 Insulator

**Material**  
 Brass  
 BeCu  
 PTFE

**Plating**  
 White Bronze  
 Gold - without Nickel Under Plating

THIS DRAWING INCLUDING THE DESIGNS IS THE PROPERTY OF KONNECT RF AND IS NOT TO BE USED FOR ANY PURPOSE WITHOUT OUR APPROVAL.