

PART NUMBER

KCC188582

REV.

DATE

COMMENTS

INITIAL

Electrical Data

Impedance	50 Ω
Frequency Range	DC - 3 GHz.
Working Voltage	335V max (valid value)
Contact Resistance	
Center	$\leq 3 \text{ m}\Omega$
Outer	$\leq 2 \text{ m}\Omega$
Withstanding Voltage	1,000 VRMS @ Sea Level
Insulation Resistance	$\geq 5,000 \text{ M}\Omega$
VSWR	≤ 1.20

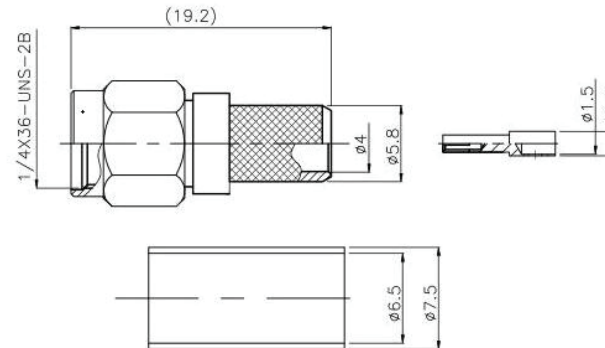
RoHS Compliant

Mechanical Data

Durability	500 Cycles Min.
Temperature Range:	-65 °C - 165 °C

Standards

Vibration	MIL-STD-202, Method 213
MIL-C039012	
CECC 22110	
IEC 60169-15	



VSWR and Frequency Range Specifications are for reference and are dependant on cable type and other application specific conditions

Drawing not to scale. Dimensions for reference only

Units: mm

WWW.KONNECTRF.COM
1-800-790-5887

PART NUMBER

KCC188582

DESCRIPTION

SMA Straight Male Plug Reverse Polarity, Crimp

CAGE CODE

664U0

SIGNATURE

X

Cable Types: LMR-240**Component**

Body
Center Contact
Crimp Ferrule
O-Ring
Insulator

Material

Brass
Tin Brass
Copper Alloy
6146 Silastic
PTFE

Plating

Gold
Gold
Nickel

THIS DRAWING INCLUDING THE DESIGNS IS THE PROPERTY OF KONNECT RF AND IS NOT TO BE USED FOR ANY PURPOSE WITHOUT OUR APPROVAL.