

PART NUMBER

KCC178961

REV.

INITIAL

Electrical Data

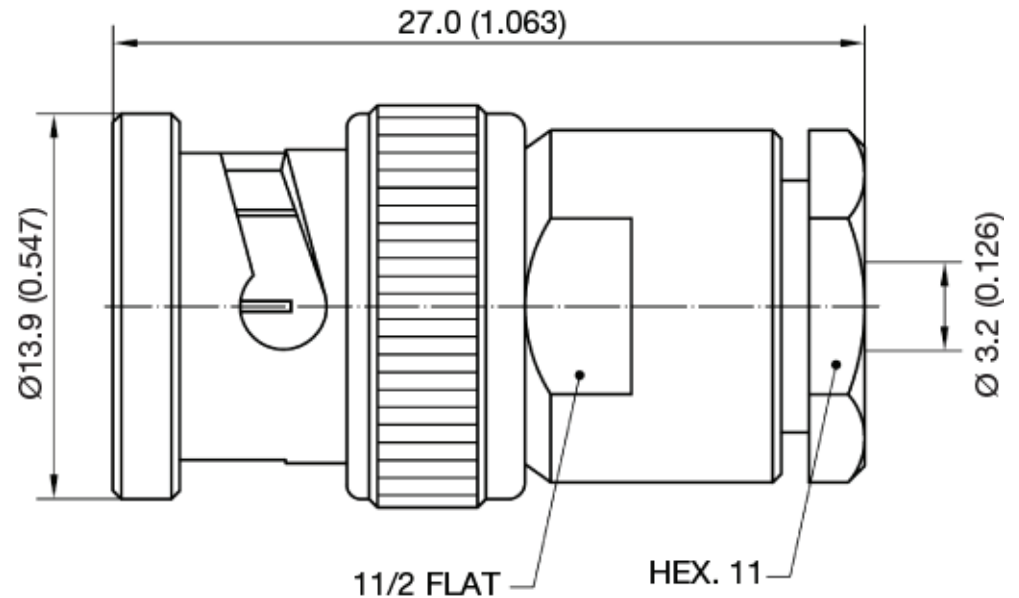
Impedance 50 Ω
 Frequency Range DC - 4 GHz
 Return Loss 30 dB (Min.) @ DC - 1 GHz
 25 dB (Min.) @ 1 - 2 GHz
 18 dB (Min.) @ 2 - 4 GHz

Insertion Loss $\leq 0.05 \times \sqrt{f[\text{GHz}]} \text{ dB}$
 Insulation Resistance 5000M Ω (Min.)
 Test Voltage 1500 V RMS
 Working Voltage 400 V RMS

Contact Resistance Center Contact: 1.5m Ω
 Outer Contact: 1.0m Ω

Mechanical Data

Temperature Rating -55°C to +155°C
 Durability 500 Cycles (Min.)
 Center Contact Captivation 15N (Min.) axial

RoHS Compliant

VSWR and Frequency Range Specifications are for reference and are dependant on cable type and other application specific conditions

Konnect RF

540 NW University Blvd. Ste. 109
 Port Saint Lucie, Florida, 34986
 1-800-790-5887

PART NUMBER

KCC178961

DESCRIPTION

**BNC Straight Male Plug
Clamp**

CAGE CODE

664U0

SIGNATURE

X

Cable Types

RG 174, 188 & 316

Materials

Body
 Center Contact
 Other Parts
 Gasket
 Dielectric

Brass
 Brass
 Brass
 Silicone Rubber
 PTFE

Nickel Plated
 Gold Plated
 Nickel Plated

THIS DRAWING INCLUDING THE
 DESIGNS IS THE PROPERTY OF
 KONNECT RF AND IS NOT TO
 BE USED FOR ANY PURPOSE
 WITHOUT OUR APPROVAL.