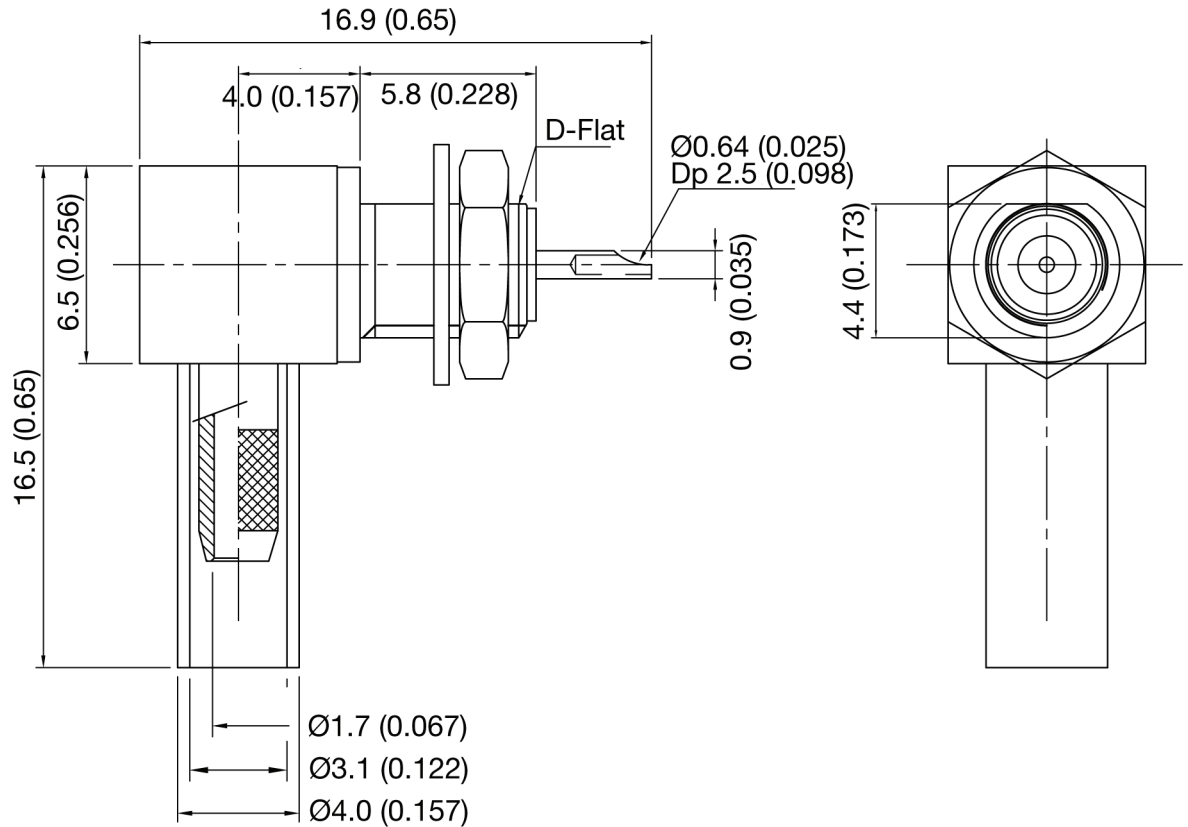


PART NUMBER

KCC178956

REV.

INITIAL

RoHS Compliant

VSWR and Frequency Range Specifications
are for reference and are dependant on cable
type and other application specific conditions

Konnnect RF

540 NW University Blvd. Ste. 109
Port Saint Lucie, Florida, 34986
1-800-790-5887

PART NUMBER

KCC178956

DESCRIPTION

**Cable Feedthrough Termination - Right Angle
Bulkhead - Crimp with Solder Cup**

CAGE CODE

664U0

SIGNATURE

X

Cable Types RG174, 179 & 316

Materials

Body	Brass	Gold Plated
Center Contact	Brass	Gold Plated
Ferrule	Brass	Gold Plated
Insulator	PTFE	Gold Plated

THIS DRAWING INCLUDING THE
DESIGNS IS THE PROPERTY OF
KONNECT RF AND IS NOT TO
BE USED FOR ANY PURPOSE
WITHOUT OUR APPROVAL.