

PART NUMBER

**KAT178350**

REV.

DATE

COMMENTS

INITIAL

**Electrical Data**

Impedance 50  $\Omega$   
 Frequency Range DC - 12.4 GHz.  
 Insertion Loss  $\leq 1.50$  dB  
 Average Power 10 Watts  
 Peak Power 200 Watts  
 (5 $\mu$ s pulse width with 2% duty cycle)  
 VSWR  $\leq 1.6:1$

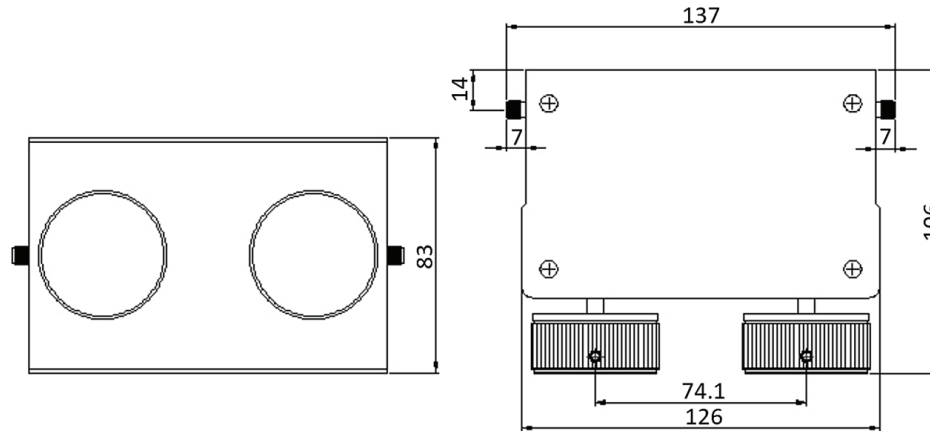
RoHS Compliant

**Mechanical Data**

Temperature Range: -0 °C - 54 °C

**Attenuation Accuracy**

$\pm 0.8$ dB(0-9dB)  
 $\pm 1.0$ dB(10-19dB)  
 $\pm 1.5$ dB(20-49dB)  
 $\pm 2.0$ dB(50-69dB)  
 $\pm 2.5$ dB or 3.5% (70-99dB)

**Tolerance: X =  $\pm 5\%$** **Drawing not to scale. Dimensions for reference only****Units: mm****Konnect RF**

**WWW.KONNECTRF.COM**  
**1-800-790-5887**

PART NUMBER

**KAT178350**

DESCRIPTION

**Rotary Attenuator, SMA Female**

CAGE CODE

**664U0**

SIGNATURE

X

**Component**

Connector  
 Center Conductor  
 Housing

**Material**

Brass  
 BeCu  
 Aluminum

**Plating**

Nickel  
 Gold

THIS DRAWING INCLUDING THE  
 DESIGNS IS THE PROPERTY OF  
 KONNECT RF AND IS NOT TO  
 BE USED FOR ANY PURPOSE  
 WITHOUT OUR APPROVAL.