

PART NUMBER

KAT177023-XX

REV.

DATE

COMMENTS

INITIAL

Electrical Data

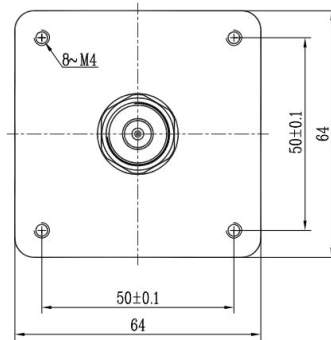
Impedance 50 Ω
 Frequency Range DC-18 GHz
 Power Rating 100 Watts @ 25°C derated linearly to 0 watts @ 125 °C
 Peak Power 1kW (5 μ s pulse width, 10% duty cycle)
 Attenuation Range

| | | | | |
|--------------|------------|--------------|--------------|--------------|
| 6-10 dB | 11-20 dB | 21-30 dB | 31-40 dB | 50-60 dB |
| ± 3.5 dB | ± 2 dB | ± 1.5 dB | ± 1.3 dB | ± 1.3 dB |

Deviation
 V.S.W.R 1.45 Max

RoHS Compliant**Mechanical Data**

Temperature Range: -55 °C - 125 °C
 Temperature Coefficient <0.0004 dB/dB/°C



Drawing not to scale. Dimensions for reference only

Units: mm

Konnect RF

WWW.KONNECTRF.COM
 1-800-790-5887

PART NUMBER

KAT177023-XX

DESCRIPTION

Fixed Attenuator, N Male/Female, Uni-directional

CAGE CODE

664U0

SIGNATURE

X

THIS DRAWING INCLUDING THE
 DESIGNS IS THE PROPERTY OF
 KONNECT RF AND IS NOT TO
 BE USED FOR ANY PURPOSE
 WITHOUT OUR APPROVAL.

Component

Connector
 Housing
 Male Contact
 Female Contact

Material

Brass
 Aluminum
 Brass
 Beryllium Brass

Plating

White Bronze
 Blackening Body
 Gold
 Gold