

PART NUMBER

KWG177948

REV.

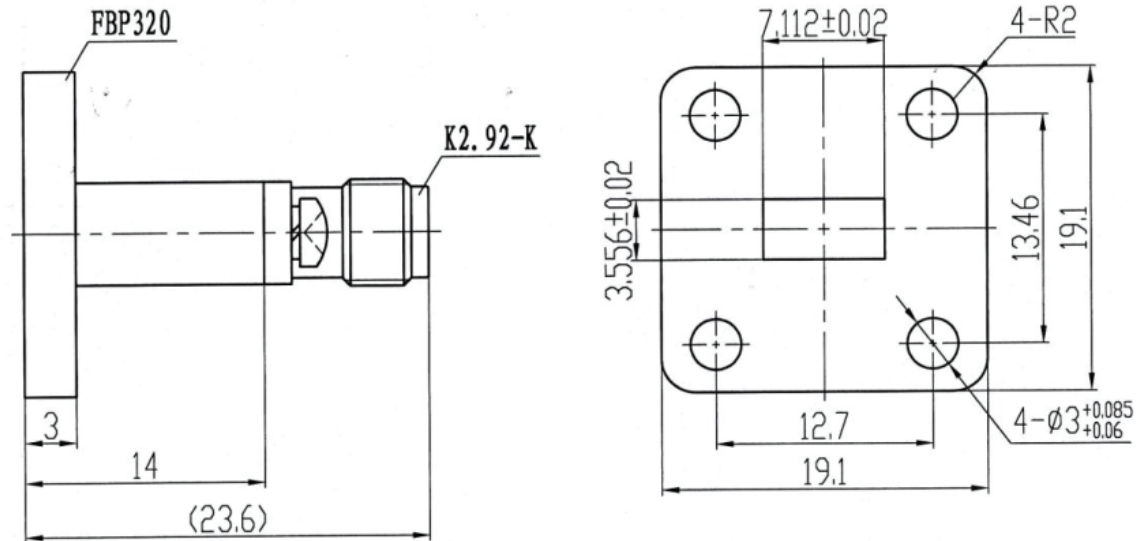
DATE

COMMENTS

INITIAL

Electrical Data

Impedance	50 Ω
Frequency Range	26.5~40GHz
Waveguide	WR28
Insertion Loss	0.5dB
VSWR	1.50 max.
Power Handling	40W
Flange	FBP320

RoHS Compliant

Drawing not to scale. Dimensions for reference only

Units: mm

Konnnect RF

WWW.KONNECTRF.COM
1-800-790-5887

PART NUMBER

KWG177948

DESCRIPTION

180 Degree EndLaunce Waveguide to Coaxial Adapter, WR28, 2.92 Female

CAGE CODE

664U0

SIGNATURE

X

THIS DRAWING INCLUDING THE DESIGNS IS THE PROPERTY OF KONNECT RF AND IS NOT TO BE USED FOR ANY PURPOSE WITHOUT OUR APPROVAL.

Component
Body

Material
Copper