

PART NUMBER

KWG177801

REV.

DATE

COMMENTS

INITIAL

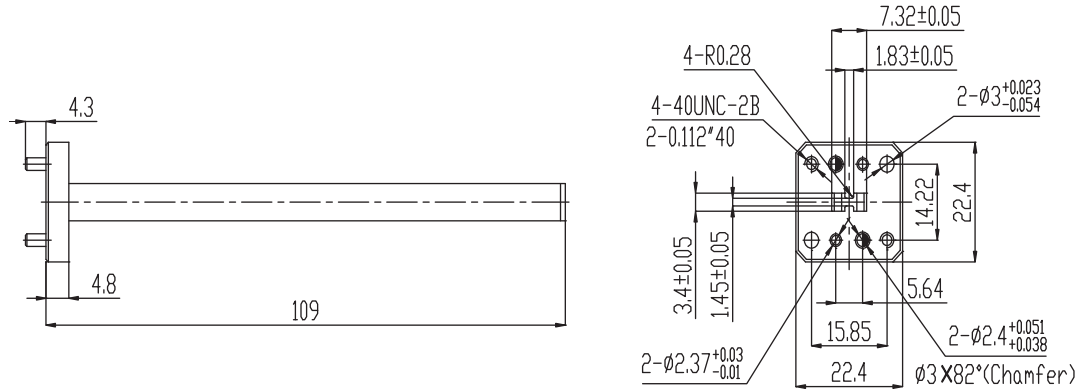
RoHS Compliant

Electrical Data

Frequency Range	18 - 40 GHz.
Power Handling	5 W (CW)
VSWR	1.20

Mechanical Data

Temperature Range: -40 °C - 70 °C



Drawing not to scale. Dimensions for reference only Units: mm



WWW.KONNECTRF.COM
1-800-790-5887

PART NUMBER

KWG177801

DESCRIPTION

Waveguide, WRD180

CAGE CODE

664U0

SIGNATURE

X *[Signature]*

Component
Body

Material
Aluminum

Plating
Chromate Conversion (Inside)
Anticorrosion Black Paint (Outside)

THIS DRAWING INCLUDING THE DESIGNS IS THE PROPERTY OF KONNECT RF AND IS NOT TO BE USED FOR ANY PURPOSE WITHOUT OUR APPROVAL.