

PART NUMBER

**KWG177721**

REV.

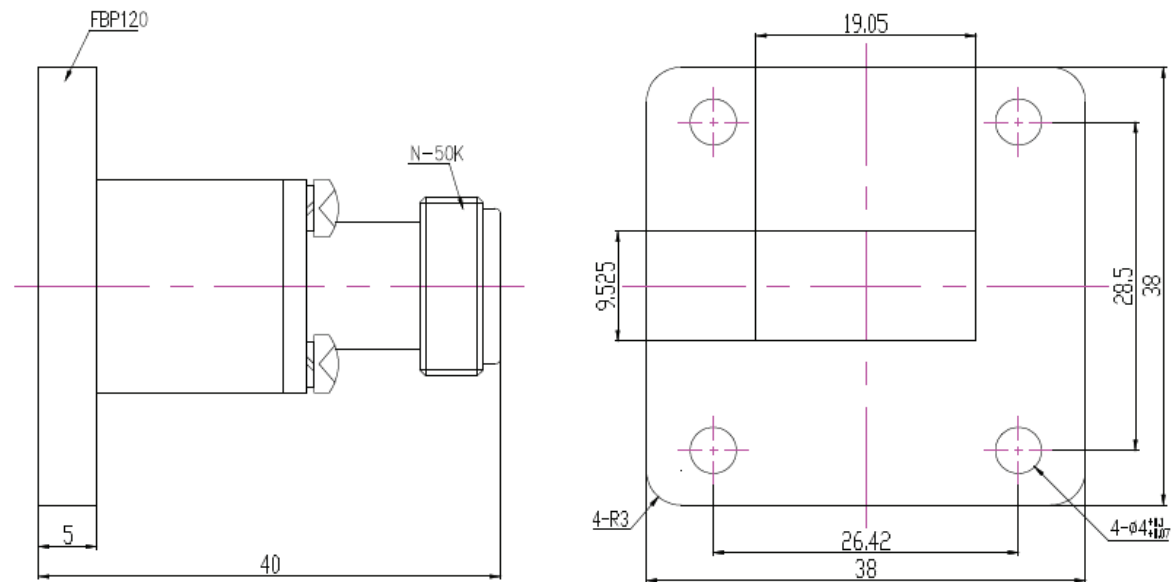
DATE

COMMENTS

INITIAL

**Electrical Data**

|                 |                             |
|-----------------|-----------------------------|
| Impedance       | 50 $\Omega$                 |
| Frequency Range | 10 - 15GHz.                 |
| Insertion Loss  | 0.3 dB Max                  |
| VSWR            | 1.25 (Max)                  |
| Waveguide type  | Rectangular Waveguide WR-75 |
| Flange type     | FBP120/UBR (Cover)          |

**RoHS Compliant**

Drawing not to scale. Dimensions for reference only

Units:mm

**Konnect RF**

WWW.KONNECTRF.COM  
1-800-790-5887

PART NUMBER

**KWG177721**

DESCRIPTION

**Waveguide, WR75**

CAGE CODE

**664U0**

SIGNATURE

X

**Component**

Body  
Inside Finish  
Outside Finish

**Material**

Brass

**Plating**

Copper  
Silver  
Corrosion protected w/Grey Paint

THIS DRAWING INCLUDING THE  
DESIGNS IS THE PROPERTY OF  
KONNECT RF AND IS NOT TO  
BE USED FOR ANY PURPOSE  
WITHOUT OUR APPROVAL.