

PART NUMBER

KWG177642

REV.

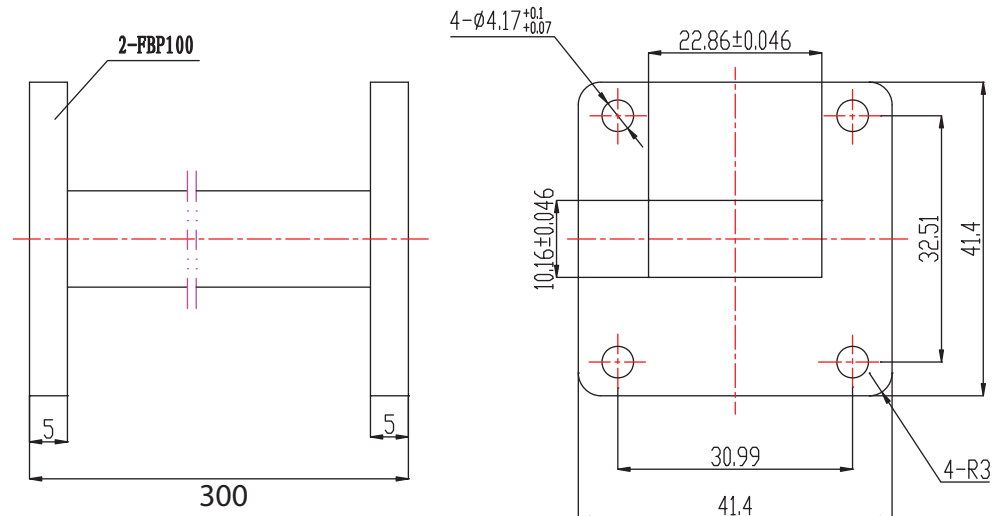
DATE

COMMENTS

INITIAL

Electrical Data

Impedance	50 Ω
Frequency Range	8.2-12.4 GHz
VSWR (Max)	1.15
Attenuation (Max)	0.55 dB/m
Power handling	2 KW (CW)
Flange type	FBP100 (Cover)
Pressure	0.2 MPa

RoHS Compliant

Drawing not to scale. Dimensions for reference only

Units: mm

Konnect RF

WWW.KONNECTRF.COM
1-800-790-5887

PART NUMBER

KWG177642

DESCRIPTION

Waveguide, Flexible, WR90, 8.2-12.4 GHz

CAGE CODE

664U0

SIGNATURE

X

THIS DRAWING INCLUDING THE
DESIGNS IS THE PROPERTY OF
KONNECT RF AND IS NOT TO
BE USED FOR ANY PURPOSE
WITHOUT OUR APPROVAL.

Component

Body
Flange
Inside
Jacket material

Material

Copper
Brass
Silver
Black polysulfide rubber

Plating