

PART NUMBER

KWG177537

REV.

DATE

COMMENTS

INITIAL

Electrical Data

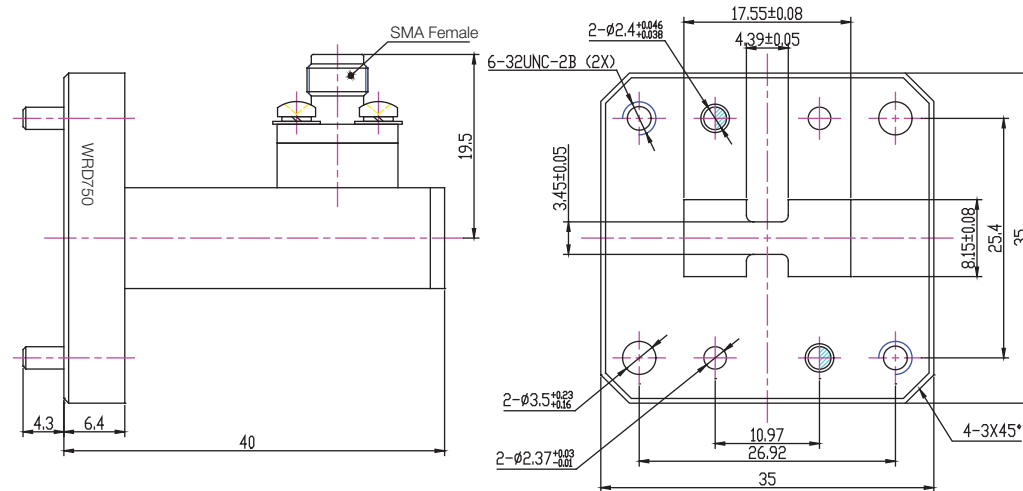
Frequency Range 7.5-18 GHz.

Insertion Loss 0.6 dB

VSWR 1.5:1

**Square cover Flange

RoHS Compliant



Drawing not to scale. Dimensions for reference only

Units: mm

Konnect RF

WWW.KONNECTRF.COM
1-800-790-5887

PART NUMBER

KWG177537

DESCRIPTION

Waveguide, WRD750, Double-Ridge, SMA Female

CAGE CODE

664U0

SIGNATURE

X

Component

Body
Inside Finish
Outside Finish

Material

Copper/Brass

Plating/Finish

Silver
Anticorrosion Grey Paint

THIS DRAWING INCLUDING THE
DESIGNS IS THE PROPERTY OF
KONNECT RF AND IS NOT TO
BE USED FOR ANY PURPOSE
WITHOUT OUR APPROVAL.