

PART NUMBER

KWG177509

REV.

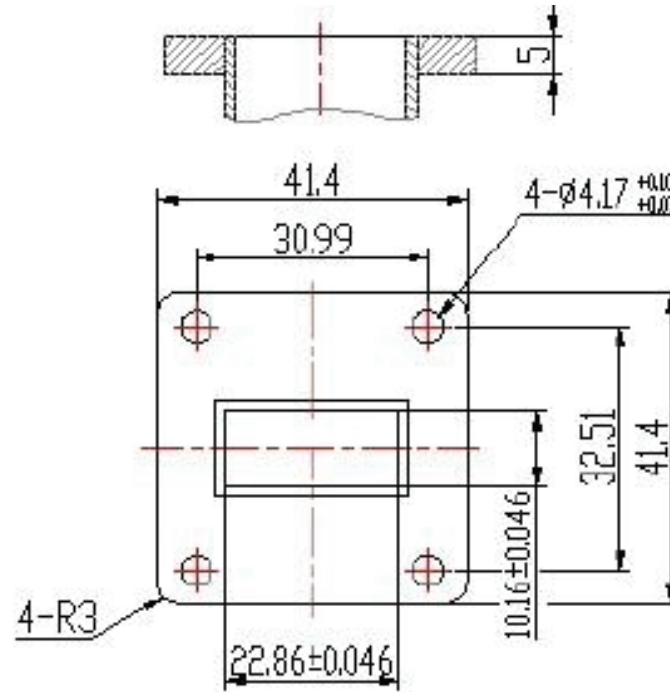
DATE

COMMENTS

INITIAL

Electrical DataFrequency Range
VSWR9 - 10 GHz.
1.20 typ

RoHS Compliant

**FBP100**

Drawing not to scale. Dimensions for reference only

Units: mm

Konnnect RF**WWW.KONNECTRF.COM**
1-800-790-5887

PART NUMBER

KWG177509

DESCRIPTION

Circular to Rectangular Waveguide Adapter, WR90

CAGE CODE

664U0

SIGNATURE

X

THIS DRAWING INCLUDING THE
DESIGNS IS THE PROPERTY OF
KONNECT RF AND IS NOT TO
BE USED FOR ANY PURPOSE
WITHOUT OUR APPROVAL.