

PART NUMBER

KWG177501

REV.

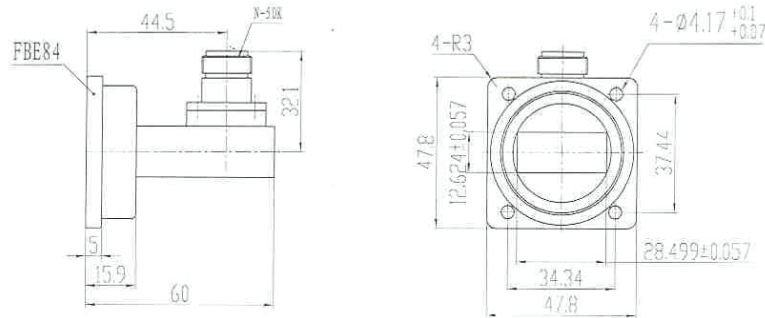
DATE

COMMENTS

INITIAL

Electrical Data

Impedance	50 Ω
Frequency range	6.57-9.99 GHz
VSWR	(Max) 1.25
Insertion Loss	(Max) 0.2dB
Waveguide type	WR112
Flange type	FBE84 (Choke)

RoHS Compliant

Drawing not to scale. Dimensions for reference only

Units: mm

Konnect RF

WWW.KONNECTRF.COM
1-800-790-5887

PART NUMBER

KWG177501

DESCRIPTION

Waveguide,Adapter, N Female, WR112

CAGE CODE

664U0

SIGNATURE

X

THIS DRAWING INCLUDING THE
DESIGNS IS THE PROPERTY OF
KONNECT RF AND IS NOT TO
BE USED FOR ANY PURPOSE
WITHOUT OUR APPROVAL.