

PART NUMBER

KWG177431

REV.

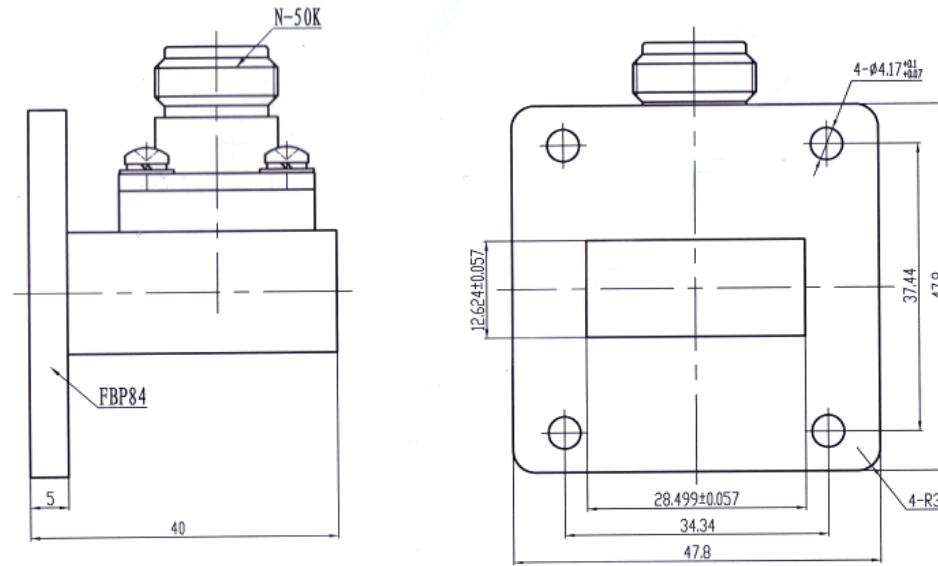
DATE

COMMENTS

INITIAL

Electrical Data

Impedance	50 Ω
Frequency range	6.57-9.99 GHz
VSWR	1.25 Max
Insertion Loss	0.2dB Max
Waveguide type	WR112
Flange Type	FBP84 (Cover)

RoHS Compliant

Drawing not to scale. Dimensions for reference only

Units: mm

Konnect RF

WWW.KONNECTRF.COM
1-800-790-5887

PART NUMBER

KWG177431

DESCRIPTION

Waveguide,Adapter, N Female, WR112

CAGE CODE

664U0

SIGNATURE

X

THIS DRAWING INCLUDING THE
DESIGNS IS THE PROPERTY OF
KONNECT RF AND IS NOT TO
BE USED FOR ANY PURPOSE
WITHOUT OUR APPROVAL.

Component

Body
Inside
Outside

Material

Copper

Plating

Silver
AntiCorrosion Grey Paint