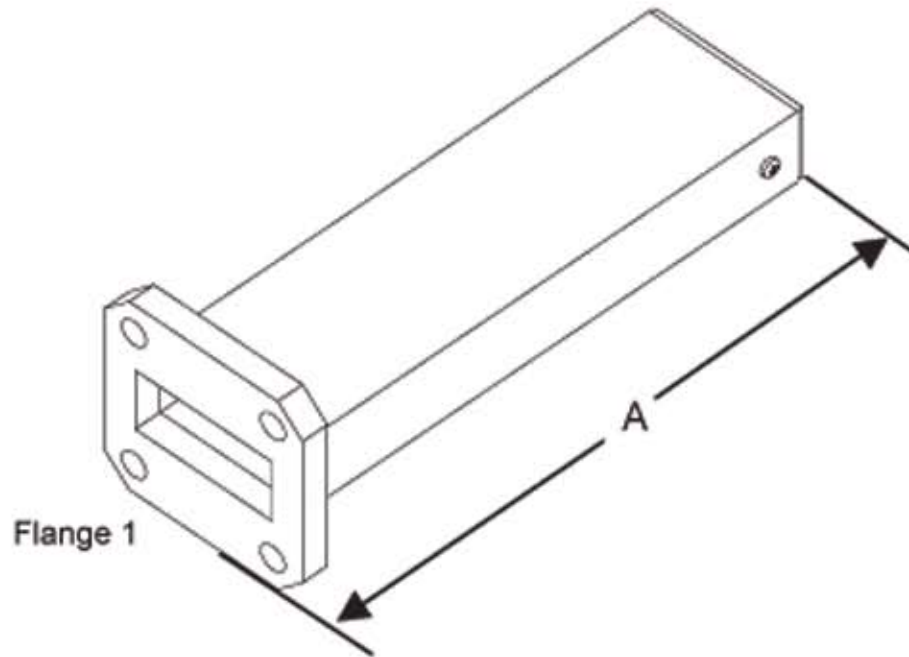


PART NUMBER

KWG177380

REV.

INITIAL



540 NW University Blvd. Ste. 109
Port Saint Lucie, Florida, 34986
1-800-790-5887

PART NUMBER

KWG177380

DESCRIPTION

**Waveguide Termination -
WR112, 7.05-10.00GHz**

CAGE CODE

664U0

SIGNATURE

X

NOTES

THIS DRAWING INCLUDING THE
DESIGNS IS THE PROPERTY OF
KONNECT RF AND IS NOT TO
BE USED FOR ANY PURPOSE
WITHOUT OUR APPROVAL.

Size:	WR112
Flange Type:	Cover
Flange Mounting Holes:	Through Holes
Freq.	7.05 - 10.00GHz
VSWR:	<1.02 Max
Power:	2 Watts