

PART NUMBER

**KWG177299**

REV.

DATE

COMMENTS

INITIAL

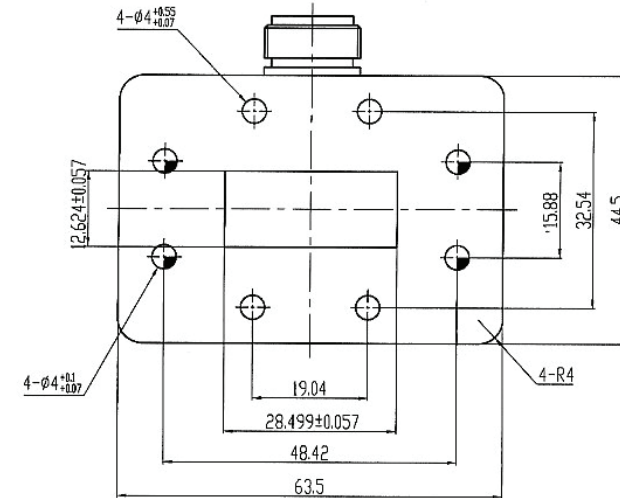
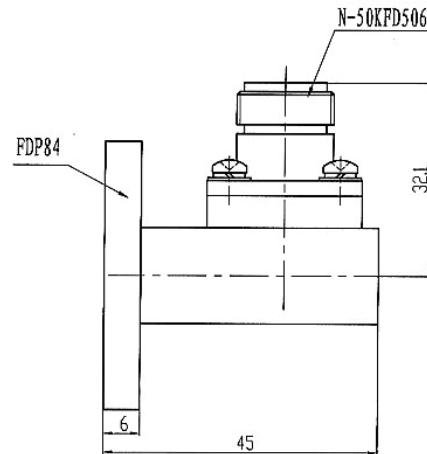
**Electrical Data**

Impedance 50  $\Omega$   
 Frequency Range 6.57-9.99 GHz.  
 VSWR 1.25  
 Flange Type FDP84(rectangular , 8 Holes)

RoHS Compliant

**Mechanical Data**

Temperature Range: -40 °C - 70 °C



Drawing not to scale. Dimensions for reference only

Units: mm

**Konnect RF**

WWW.KONNECTRF.COM  
 1-800-790-5887

PART NUMBER

**KWG177299**

DESCRIPTION

**Waveguide,Adapter, N Female, WR112**

CAGE CODE

**664U0**

SIGNATURE

X

THIS DRAWING INCLUDING THE  
 DESIGNS IS THE PROPERTY OF  
 KONNECT RF AND IS NOT TO  
 BE USED FOR ANY PURPOSE  
 WITHOUT OUR APPROVAL.

**Component**

Body  
 Inside  
 Outside

**Material**

Copper

**Plating/Finish**

Silver  
 Corrosion protected/Grey paint