

PART NUMBER

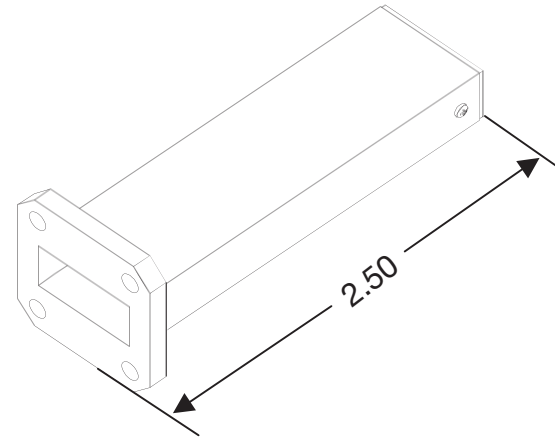
KWG177281

REV.

INITIAL

Electrical Data**RoHS Compliant**

Frequency Range 26.50 - 40.00 GHz.
 Power 0.5 Watts
 VSWR ≤ 1.02 Max.



VSWR and Frequency Range Specifications
 are for reference and are dependant on cable
 type and other application specific conditions

Drawing not to scale. Dimensions for reference only Units: inches

WWW.KONNECTRF.COM
 1-800-790-5887

PART NUMBER

KWG177281

DESCRIPTION

**Waveguide Termination, WR28,
PBR320 Flange with Through Holes**

CAGE CODE

664U0

SIGNATURE

X

THIS DRAWING INCLUDING THE
 DESIGNS IS THE PROPERTY OF
 KONNECT RF AND IS NOT TO
 BE USED FOR ANY PURPOSE
 WITHOUT OUR APPROVAL.