

PART NUMBER

KWG177248

REV.

DATE

COMMENTS

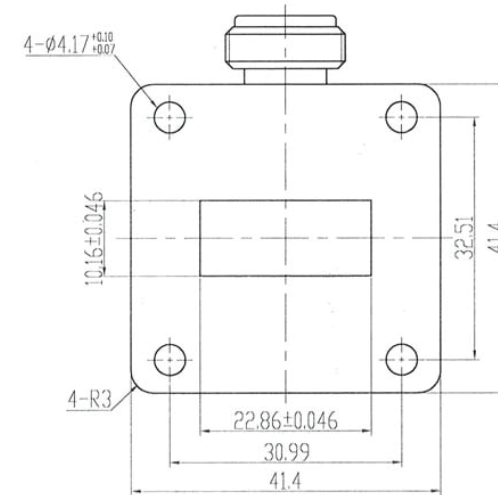
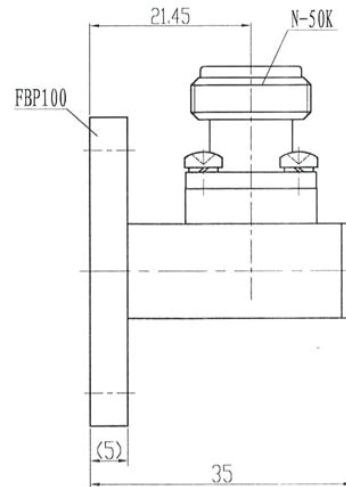
INITIAL

Electrical Data

Impedance 50 Ω
 Frequency Range 8.2-12.4 GHz.
 Insertion Loss 0.2 dB
 VSWR 1.25
 Flange Type FBP100 (Cover)

RoHS Compliant**Mechanical Data**

Temperature Range: -40 °C - 70 °C



Drawing not to scale. Dimensions for reference only

Units: mm

Konnect RF

WWW.KONNECTRF.COM
 1-800-790-5887

PART NUMBER

KWG177248

DESCRIPTION

Waveguide, WR90

CAGE CODE

664U0

SIGNATURE

X

Component

Body
 Inside
 Outside

Material

Brass

Plating

Copper
 Silver
 Anticorrosion Grey Paint

THIS DRAWING INCLUDING THE
 DESIGNS IS THE PROPERTY OF
 KONNECT RF AND IS NOT TO
 BE USED FOR ANY PURPOSE
 WITHOUT OUR APPROVAL.