

PART NUMBER

**KWG177246**

REV.

DATE

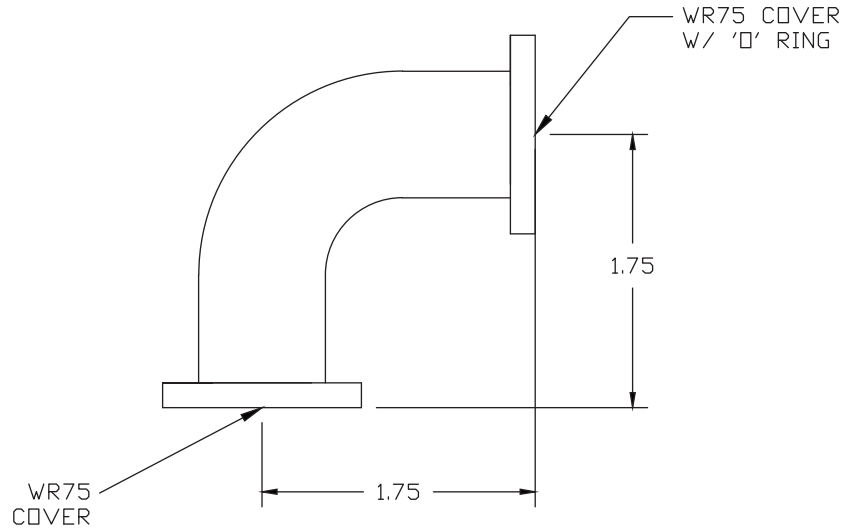
COMMENTS

INITIAL

**RoHS Compliant**

**Electrical Data**

|                 |              |
|-----------------|--------------|
| Frequency Range | 10 - 15 GHz. |
| Pressure        | 15 PSI       |
| VSWR            | ≤ 1.05       |



Drawing not to scale. Dimensions for reference only

Units: inches



WWW.KONNECTRF.COM  
1-800-790-5887

PART NUMBER

**KWG177246**

DESCRIPTION

**Waveguide, WR75 90 Deg. Swept H-Bend**

CAGE CODE

**664U0**

SIGNATURE

X 

THIS DRAWING INCLUDING THE DESIGNS IS THE PROPERTY OF KONNECT RF AND IS NOT TO BE USED FOR ANY PURPOSE WITHOUT OUR APPROVAL.