

PART NUMBER

KWG177242

REV.

DATE

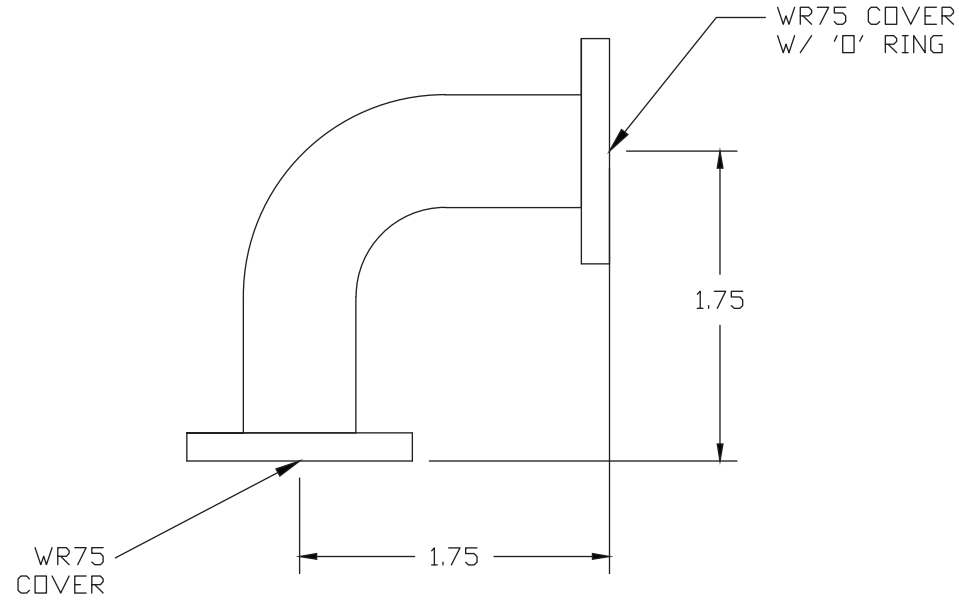
COMMENTS

INITIAL

Electrical Data

RoHS Compliant

Frequency Range	10 - 15 GHz.
Pressure	15 PSI
VSWR	≤ 1.05



Drawing not to scale. Dimensions for reference only Units: inches



WWW.KONNECTRF.COM
1-800-790-5887

PART NUMBER

DESCRIPTION

Waveguide, WR75 90 Deg. Swept E-Bend

CAGE CODE

664U0

SIGNATURE

X 

THIS DRAWING INCLUDING THE DESIGNS IS THE PROPERTY OF KONNECT RF AND IS NOT TO BE USED FOR ANY PURPOSE WITHOUT OUR APPROVAL.