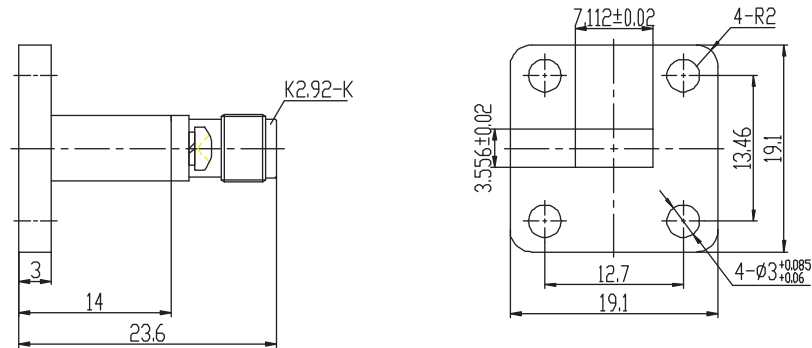


End-launch Waveguide to Coaxial Adapter



Outline drawing : mm

1.0 Mechanical Specifications		
1.1	Waveguide Type	WR28
1.2	Flange Type	
1.3	Connector Type	2.92mm Female
1.4	Material	Copper
1.5	Finish	Gold Plating
1.6	Temperature range	-40°C ~ +70°C
2.0 Electrical Specifications		
2.1	Frequency Range	26.5-40 GHz
2.2	VSWR (Max)	1.50
2.3	Insertion Loss	0.5dB
3.0 Outline Drawings		