

PART NUMBER

KWG177192

REV.

DATE

COMMENTS

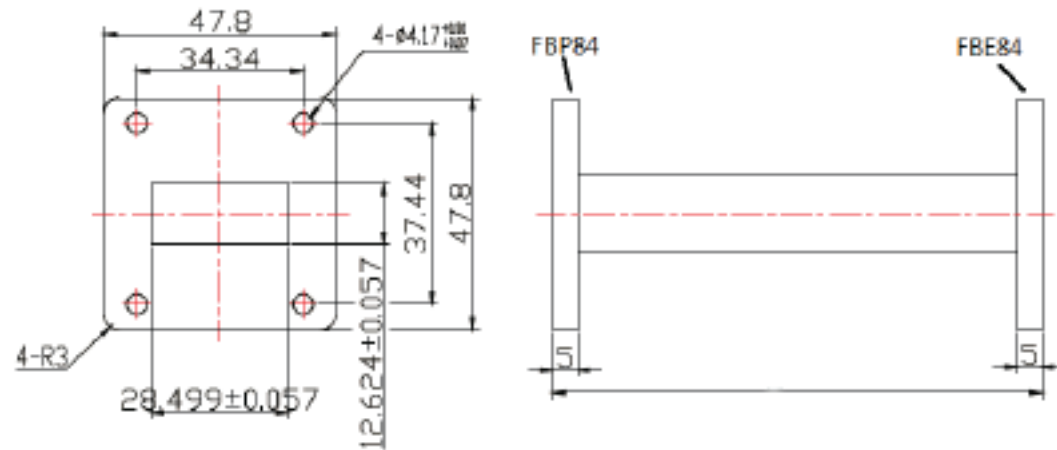
INITIAL

Electrical Data

Frequency Range 7.05-10 GHz.
 Attenuation 0.4 dB/m Max
 Power Handling 4 KW (CW)
 VSWR 1.15 Max

Mechanical Data

Flange Type FBP84 (Cover)/FBE(Chock)
 Minimum Bend Radius (E Plane) 76mm
 Minimum Bend Radius (H Plane) 152 mm
 Pressure 0.2 MPa

RoHS Compliant

L=140mm

Drawing not to scale. Dimensions for reference only

Units: mm

Konnect RF

WWW.KONNECTRF.COM
 1-800-790-5887

PART NUMBER

KWG177192

DESCRIPTION

Waveguide, Flexible, WR112

CAGE CODE

664U0

SIGNATURE

X

Component

Body
 Flange
 Inside Finish
 Jacket Material

Material

Copper
 Brass
 Black Polysulfide Rubber

Plating/Finish

Silver

THIS DRAWING INCLUDING THE
 DESIGNS IS THE PROPERTY OF
 KONNECT RF AND IS NOT TO
 BE USED FOR ANY PURPOSE
 WITHOUT OUR APPROVAL.