

PART NUMBER

KWG177175

REV.

DATE

COMMENTS

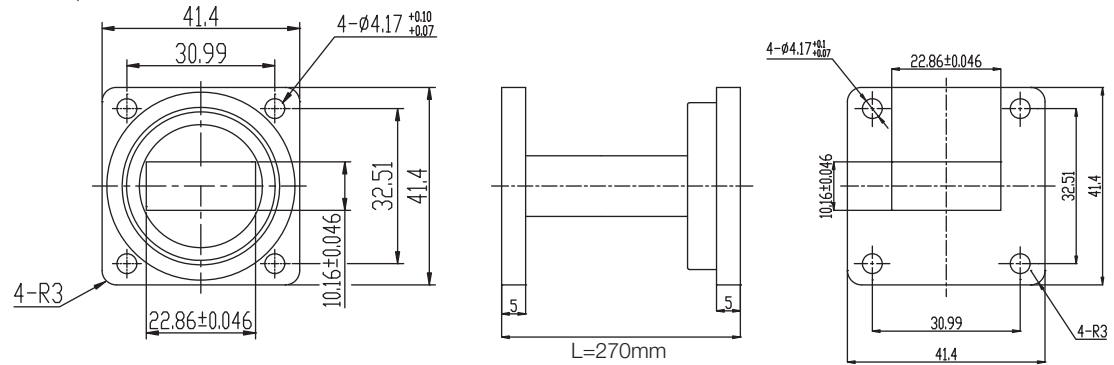
INITIAL

Electrical Data

Frequency Range 8.2-12.4 GHz.
 Attenuation 0.5 dB/m
 Power Handling 2 KW (CW)
 VSWR 1.15 Max

Mechanical Data

Flange Type FBP100 (Cover) /FBE 100(Choke)
 Minimum Bend Radius (E Plane) 66mm
 Minimum Bend Radius (H Plane) 132 mm
 Pressure 0.2 MPa

RoHS Compliant

Drawing not to scale. Dimensions for reference only

Units: mm

Konnect RF

WWW.KONNECTRF.COM
 1-800-790-5887

PART NUMBER

KWG177175

DESCRIPTION

Waveguide,Flexible, WR90

CAGE CODE

664U0

SIGNATURE

X**Component**

Body
 Flange
 Inside Finish
 Jacket Material

Material

Copper
 Brass
 Black Polysulfide Rubber

Plating/Finish

Silver

THIS DRAWING INCLUDING THE
 DESIGNS IS THE PROPERTY OF
 KONNECT RF AND IS NOT TO
 BE USED FOR ANY PURPOSE
 WITHOUT OUR APPROVAL.