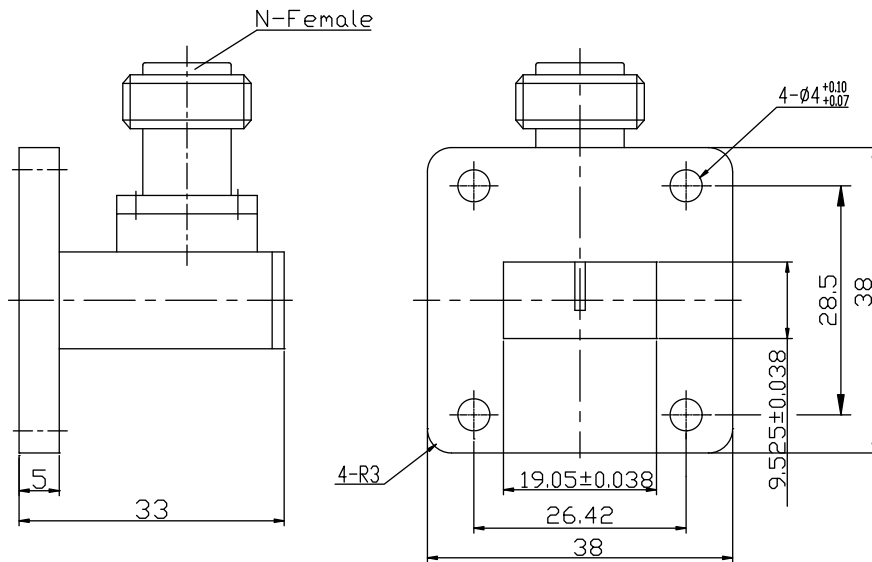


## Waveguide to Coaxial Adapter



1.0 Mechanical Specifications		
1.1	Waveguide Type	WR75
1.2	Connector Type	N Female
1.3	Flange Type	Cover
1.4	Material	Aluminum
1.5	Inside Finish	Chromate conversion
1.6	Outside Finish	Anticorrosion grey paint
2.0 Electrical Specifications		
2.1	Frequency Range	9.84-15 GHz
2.2	VSWR (Max)	1.25
2.3	Insertion Loss	0.3dB