

PART NUMBER

**KWG177170**

REV.

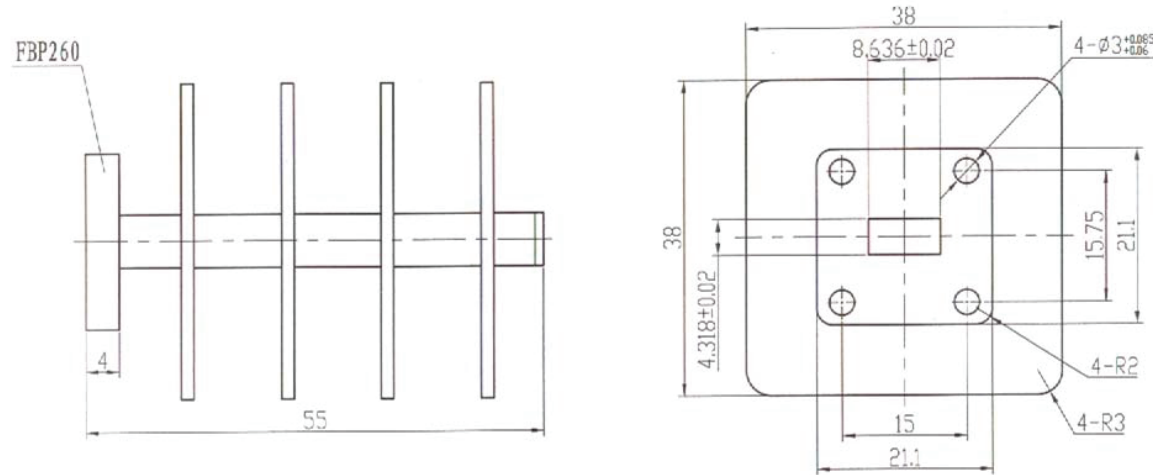
DATE

COMMENTS

INITIAL

**Electrical Data**

Impedance	50 $\Omega$
Frequency Range	DC - 22-33 GHz.
Handling Power	10W (CW)
VSWR	1.25

**RoHS Compliant**

Drawing not to scale. Dimensions for reference only

Units: mm

**Konnect RF**

WWW.KONNECTRF.COM  
1-800-790-5887

PART NUMBER

**KWG177170**

DESCRIPTION

**Waveguide Termination, WR34**

CAGE CODE

**664U0**

SIGNATURE

X

THIS DRAWING INCLUDING THE  
DESIGNS IS THE PROPERTY OF  
KONNECT RF AND IS NOT TO  
BE USED FOR ANY PURPOSE  
WITHOUT OUR APPROVAL.

**Component**

Body  
Inside  
Outside

**Material**

Brass

**Plating/Finish**

Copper  
Silver  
Anti Corrosion Grey Paint