

PART NUMBER

KWG177120

REV.

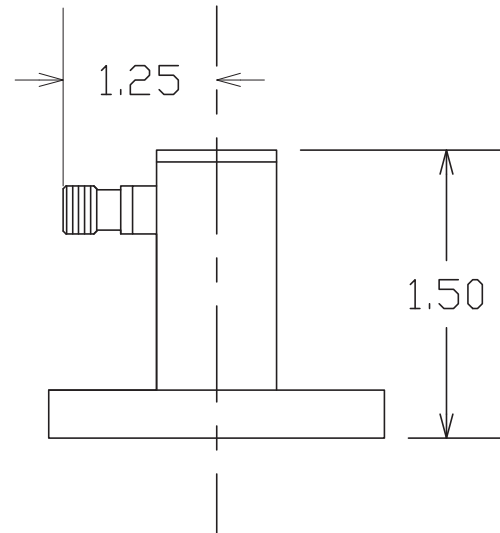
DATE

COMMENTS

INITIAL

Electrical Data

Frequency Range 8.2 - 12.4 GHz.
VSWR ≤ 1.30

RoHS Compliant

Drawing not to scale. Dimensions for reference only

Units: inches

Konnect RF

WWW.KONNECTRF.COM
1-800-790-5887

PART NUMBER

KWG177120

DESCRIPTION

**Waveguide to Coaxial Adapter, WR90 Cover
Flange to 90 Degree Type N Female Jack**

CAGE CODE

664U0

SIGNATURE

X **Component**
Body**Material**
OFHC**Finish**
Britegard CB31 Flat Black Epoxy

THIS DRAWING INCLUDING THE
DESIGNS IS THE PROPERTY OF
KONNECT RF AND IS NOT TO
BE USED FOR ANY PURPOSE
WITHOUT OUR APPROVAL.