

PART NUMBER

KWG177117

REV.

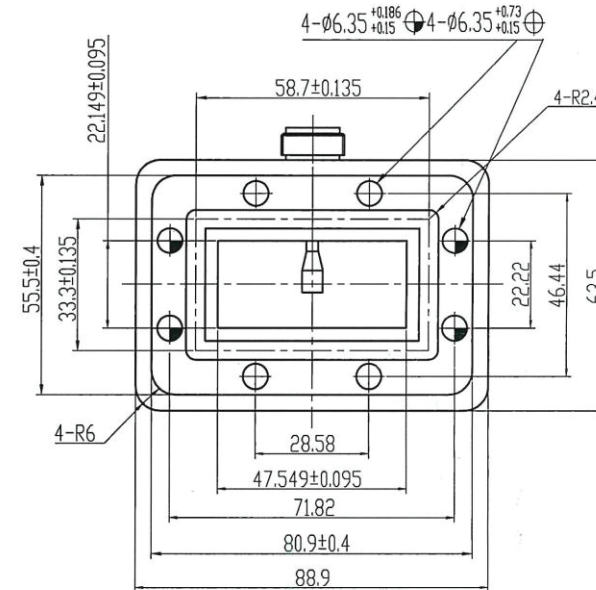
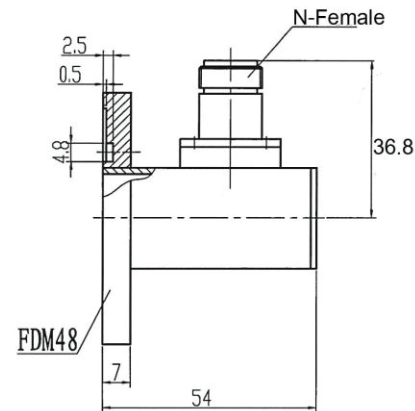
DATE

COMMENTS

INITIAL

Electrical Data

Impedance	50 Ω
Frequency Range	3.95~5.85GHz.
Waveguide	WR187
VSWR	1.25 max.
Flange	FDM48 (Groove Flange)

RoHS Compliant

Drawing not to scale. Dimensions for reference only

Units: mm

Konnect RF

WWW.KONNECTRF.COM
1-800-790-5887

PART NUMBER

KWG177117

DESCRIPTION

Right Angle Waveguide to Coaxial Adapter, WR187, N Female Jack

CAGE CODE

664U0

SIGNATURE

X

THIS DRAWING INCLUDING THE
DESIGNS IS THE PROPERTY OF
KONNECT RF AND IS NOT TO
BE USED FOR ANY PURPOSE
WITHOUT OUR APPROVAL.

Component
Body

Material
Aluminum

Plating
Grey paint