

PART NUMBER

**KWG177108**

REV.

DATE

COMMENTS

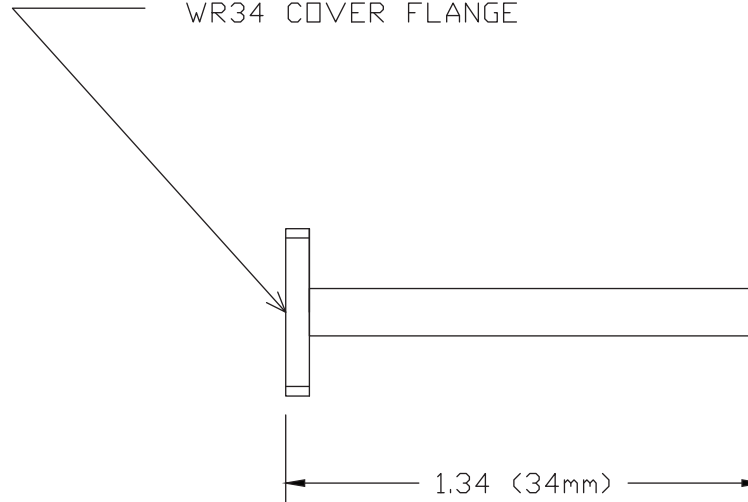
INITIAL

**Electrical Data**

|                 |                |
|-----------------|----------------|
| Frequency Range | 21.7 - 33 GHz. |
| Power           | 5 wt CW        |
| Press           | 2.0 P.S.I Max  |
| VSWR            | 1.10           |

**RoHS Compliant**

WR34 COVER FLANGE



Drawing not to scale. Dimensions for reference only

Units: inches (mm)

**Konnect RF**

WWW.KONNECTRF.COM  
1-800-790-5887

PART NUMBER

**KWG177108**

DESCRIPTION

**Waveguide, WR34 Cover Flange Termination**

CAGE CODE

**664U0**

SIGNATURE

X

**Component**  
Body

**Material**  
Aluminum

**Plating**  
Metalast TCP-HF Flat Black

THIS DRAWING INCLUDING THE  
DESIGNS IS THE PROPERTY OF  
KONNECT RF AND IS NOT TO  
BE USED FOR ANY PURPOSE  
WITHOUT OUR APPROVAL.